

# 3GPP TS 32.415 V9.0.0 (2009-12)

---

*Technical Specification*

**3rd Generation Partnership Project;  
Technical Specification Group Services and System Aspects;  
Telecommunication management;  
Performance Management (PM)  
Integration Reference Point (IRP);  
eXtensible Markup Language (XML) definitions  
(Release 9)**

---



The present document has been developed within the 3<sup>rd</sup> Generation Partnership Project (3GPP™) and may be further elaborated for the purposes of 3GPP. The present document has not been subject to any approval process by the 3GPP Organizational Partners and shall not be implemented. This Specification is provided for future development work within 3GPP only. The Organizational Partners accept no liability for any use of this Specification. Specifications and reports for implementation of the 3GPP™ system should be obtained via the 3GPP Organizational Partners' Publications Offices.

---

---

Keywords

log management, performance management

**3GPP**

---

Postal address

---

3GPP support office address

---

650 Route des Lucioles - Sophia Antipolis  
Valbonne - FRANCE  
Tel.: +33 4 92 94 42 00 Fax: +33 4 93 65 47 16

---

Internet

<http://www.3gpp.org>

---

**Copyright Notification**

No part may be reproduced except as authorized by written permission.  
The copyright and the foregoing restriction extend to reproduction in all media.

© 2009, 3GPP Organizational Partners (ARIB, ATIS, CCSA, ETSI, TTA, TTC).  
All rights reserved.

UMTS™ is a Trade Mark of ETSI registered for the benefit of its members  
3GPP™ is a Trade Mark of ETSI registered for the benefit of its Members and of the 3GPP Organizational Partners  
LTE™ is a Trade Mark of ETSI currently being registered for the benefit of its Members and of the 3GPP Organizational Partners  
GSM® and the GSM logo are registered and owned by the GSM Association

---

# Contents

Foreword .....	4
Introduction .....	4
1 Scope .....	5
2 References.....	5
3 Definitions and abbreviations .....	5
3.1 Definitions .....	5
3.2 Abbreviations.....	5
4 PM IRP XML Definitions.....	6
4.1 PM IRP notifications XML definition structure .....	6
4.2 PM IRP XML Schema for notifications .....	8
4.3 PM IRP XML Schema for IOCs .....	9
<b>Annex A (informative): Void .....</b>	<b>12</b>
<b>Annex B (informative): Change history.....</b>	<b>13</b>

---

## Foreword

This Technical Specification has been produced by the 3<sup>rd</sup> Generation Partnership Project (3GPP).

The contents of the present document are subject to continuing work within the TSG and may change following formal TSG approval. Should the TSG modify the contents of the present document, it will be re-released by the TSG with an identifying change of release date and an increase in version number as follows:

Version x.y.z

where:

- x the first digit:
  - 1 presented to TSG for information;
  - 2 presented to TSG for approval;
  - 3 or greater indicates TSG approved document under change control.
- y the second digit is incremented for all changes of substance, i.e. technical enhancements, corrections, updates, etc.
- z the third digit is incremented when editorial only changes have been incorporated in the document.

---

## Introduction

The present document is part of a TS-family covering the 3<sup>rd</sup> Generation Partnership Project: Technical Specification Group Services and System Aspects; Telecommunication management, as identified below:

- 32.411: "Performance Management (PM) Integration Reference Point (IRP): Requirements"
- 32.412: "Performance Management (PM) Integration Reference Point (IRP): Information Service (IS)"
- 32.413: "Performance Management (PM) Integration Reference Point (IRP): Common Object Request Broker Architecture (CORBA) Solution Set (SS)"
- 32.415 "Performance Management (PM) Integration Reference Point (IRP): eXtensible Markup Language (XML) definitions"**
- 32.417: "Performance Management (PM) Integration Reference Point (IRP): SOAP Solution Set (SS)"

The present document is part of a set of TSs which describes the requirements and information model necessary for the Telecommunication Management (TM) of 3G systems. The TM principles and TM architecture are specified in 3GPP TS 32.101 [1] and 3GPP TS 32.102 [2].

A 3G system is composed of a multitude of Network Elements (NE) of various types and, typically, different vendors, which inter-operate in a co-ordinated manner in order to satisfy the network users' communication requirements. Any evaluation of PLMN-system behaviour will require performance data collected and recorded by its NEs according to a schedule established by the EM.

This aspect of the management environment is termed Performance Management. The purpose of any Performance Management activity is to collect performance related data, which can be used to locate potential problems in the network.

---

# 1 Scope

The present document specifies the XML definitions for the Performance Management (PM) Integration Reference Point (IRP) as it applies to Itf-N, in accordance with PM IRP IS definitions in 3GPP TS 32.412 [3], for usage with the SOAP Solution Set [6] as well as Notification Log IRP XML definitions in 3GPP TS 32.335 [4].

This specification is related to 3GPP TS 32.412 V9.0.X.

---

# 2 References

The following documents contain provisions which, through reference in this text, constitute provisions of the present document.

- References are either specific (identified by date of publication, edition number, version number, etc.) or non-specific.
- For a specific reference, subsequent revisions do not apply.
- For a non-specific reference, the latest version applies. In the case of a reference to a 3GPP document (including a GSM document), a non-specific reference implicitly refers to the latest version of that document *in the same Release as the present document*.

- [1] 3GPP TS 32.101: "Telecommunication management; Principles and high level requirements".
- [2] 3GPP TS 32.102: "Telecommunication management; Architecture".
- [3] 3GPP TS 32.412: "Performance Management (PM) Integration Reference Point (IRP): Information Service (IS)".
- [4] 3GPP TS 32.335: "Telecommunication management; Notification Log (NL) Integration Reference Point (IRP): eXtensible Markup Language (XML) solution definitions".
- [5] 3GPP TS 32.331: "Telecommunication management; Notification Log (NL) Integration Reference Point (IRP): Requirements".
- [6] 3GPP TS 32.417: "Performance Management (PM) Integration Reference Point (IRP): SOAP Solution Set (SS)".

---

# 3 Definitions and abbreviations

## 3.1 Definitions

For the purposes of the present document, the terms and definitions given in 3GPP TS 32.101 [1], 3GPP TS 32.102 [2], and 3GPP TS 32.331 [5] apply.

## 3.2 Abbreviations

For the purposes of the present document, the following abbreviations apply:

IRP	Integration Reference Point
IS	Information Service
NL	Notification Log
PM	Performance Management
PMIRP	Performance Management Integration Reference Point
XML	eXtensible Markup Language

## 4 PM IRP XML Definitions

### 4.1 PM IRP notifications XML definition structure

This section provides XML definitions of PM IRP notifications as defined in 3GPP TS 32.412 [3].

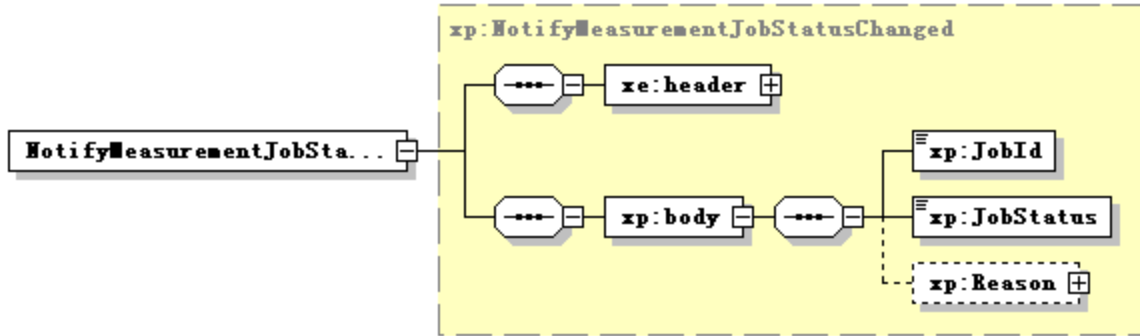


Figure 4.1.1

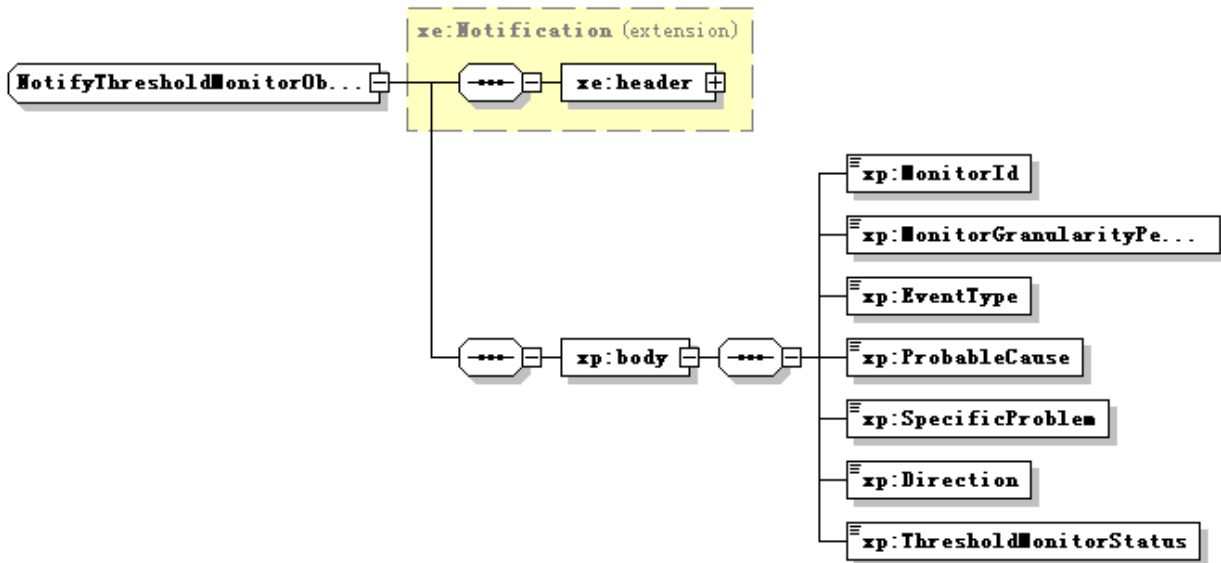


Figure 4.1.2

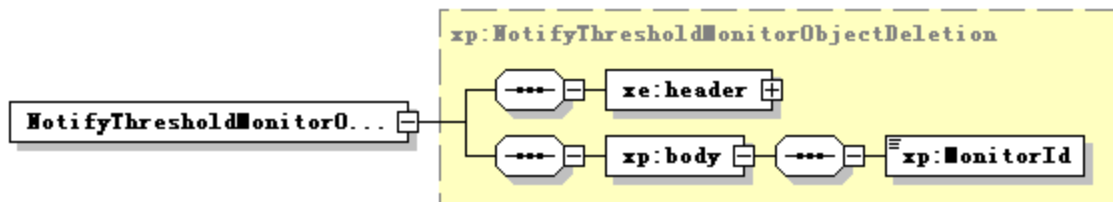


Figure 4.1.3

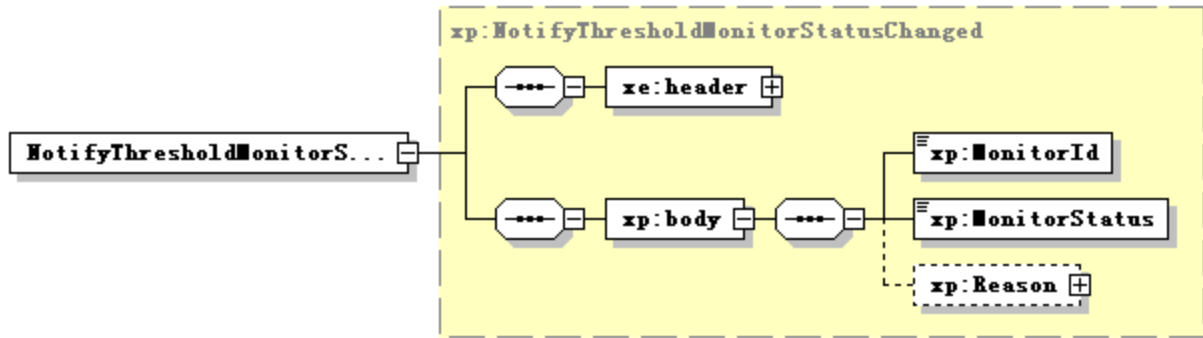


Figure 4.1.4

## 4.2 PM IRP XML Schema for notifications

```

<?xml version="1.0" encoding="UTF-8"?>
<!--
  3GPP TS 32.415 PMIRP Notification XML Schema
  pMIRPNotif.xsd
-->
<schema xmlns:xp="http://www.3gpp.org/ftp/specs/archive/32_series/32.415#pMIRPNotif"
  xmlns:xe="http://www.3gpp.org/ftp/specs/archive/32_series/32.305#notification"
  xmlns:xai="http://www.3gpp.org/ftp/specs/archive/32_series/32.111-5#alarmIRPIOCs"
  xmlns:xpi="http://www.3gpp.org/ftp/specs/archive/32_series/32.415#pMIRPIOCs"
  xmlns="http://www.w3.org/2001/XMLSchema"
  targetNamespace="http://www.3gpp.org/ftp/specs/archive/32_series/32.415#pMIRPNotif"
  elementFormDefault="qualified" attributeFormDefault="unqualified">
  <import namespace="http://www.3gpp.org/ftp/specs/archive/32_series/32.305#notification"/>
  <import namespace="http://www.3gpp.org/ftp/specs/archive/32_series/32.415#pMIRPIOCs"/>
  <import namespace="http://www.3gpp.org/ftp/specs/archive/32_series/32.111-5#alarmIRPIOCs"/>
  <simpleType name="QoSEventType">
    <restriction base="xai:EventType">
      <enumeration value="Quality Of Service Alarm"/>
    </restriction>
  </simpleType>
  <complexType name="NotifyMeasurementJobStatusChanged">
    <complexContent>
      <extension base="xe:Notification">
        <sequence>
          <element name="body">
            <complexType>
              <sequence>
                <element name="JobId" type="xpi:JobId"/>
                <element name="JobStatus" type="xpi:JobStatus"/>
                <element name="Reason" type="xpi:JobStatusChangedReasons"
minOccurs="0"/>
              </sequence>
            </complexType>
          </element>
        </sequence>
      </extension>
    </complexContent>
  </complexType>
  <complexType name="NotifyThresholdMonitorObjectCreation">
    <complexContent>
      <extension base="xe:Notification">
        <sequence>
          <element name="body">
            <complexType>
              <sequence>
                <element name="MonitorId" type="xpi:MonitorId"/>
                <element name="MonitorGranularityPeriod"
type="xpi:MonitorGranularityPeriod"/>
                <element name="EventType" type="xp:QoSEventType"/>
                <element name="ProbableCause" type="xpi:TcProbableCause"/>
                <element name="SpecificProblem" type="xpi:SpecificProblem"/>
                <element name="Direction" type="xpi:Direction"/>
                <element name="ThresholdMonitorStatus"
type="xpi:ThresholdMonitorStatus"/>
              </sequence>
            </complexType>
          </element>
        </sequence>
      </extension>
    </complexContent>
  </complexType>
  <complexType name="NotifyThresholdMonitorObjectDeletion">
    <complexContent>
      <extension base="xe:Notification">
        <sequence>
          <element name="body">
            <complexType>
              <sequence>
                <element name="MonitorId" type="xpi:MonitorId"/>
              </sequence>
            </complexType>
          </element>
        </sequence>
      </extension>
    </complexContent>
  </complexType>

```



```

        </complexContent>
    </complexType>
    <complexType name="NotifyThresholdMonitorStatusChanged">
        <complexContent>
            <extension base="xe:Notification">
                <sequence>
                    <element name="body">
                        <complexType>
                            <sequence>
                                <element name="MonitorId" type="xpi:MonitorId"/>
                                <element name="MonitorStatus" type="xpi:ThresholdMonitorStatus"/>
                                <element name="Reason" type="xpi:MonitorStatusChangedReasons"
minOccurs="0"/>
                            </sequence>
                        </complexType>
                    </element>
                </sequence>
            </extension>
        </complexContent>
    </complexType>
    <element name="NotifyMeasurementJobStatusChanged" type="xp:NotifyMeasurementJobStatusChanged"/>
    <element name="NotifyThresholdMonitorObjectCreation"
type="xp:NotifyThresholdMonitorObjectCreation"/>
    <element name="NotifyThresholdMonitorObjectDeletion"
type="xp:NotifyThresholdMonitorObjectDeletion"/>
    <element name="NotifyThresholdMonitorStatusChanged"
type="xp:NotifyThresholdMonitorStatusChanged"/>
</schema>

```

## 4.3 PM IRP XML Schema for IOCs

```

<?xml version="1.0" encoding="UTF-8"?>
<!--
    3GPP TS 32.415 Performance Management IRP IOC XML Schema
    pMIRPIOCs.xsd
-->
<schema xmlns:xpi="http://www.3gpp.org/ftp/specs/archive/32_series/32.415#pMIRPIOCs"
xmlns:xe="http://www.3gpp.org/ftp/specs/archive/32_series/32.305#notification"
xmlns:xai="http://www.3gpp.org/ftp/specs/archive/32_series/32.111-5#alarmIRPIOCs"
xmlns="http://www.w3.org/2001/XMLSchema"
targetNamespace="http://www.3gpp.org/ftp/specs/archive/32_series/32.415#pMIRPIOCs"
elementFormDefault="qualified" attributeFormDefault="unqualified">
    <import namespace="http://www.3gpp.org/ftp/specs/archive/32_series/32.305#notification"/>
    <import namespace="http://www.3gpp.org/ftp/specs/archive/32_series/32.111-5#alarmIRPIOCs"/>
    <!-- Type definitions -->
    <simpleType name="JobId">
        <restriction base="string">
            <minLength value="1"/>
        </restriction>
    </simpleType>
    <simpleType name="JobStatus">
        <restriction base="string">
            <enumeration value="Scheduled"/>
            <enumeration value="Active"/>
            <enumeration value="Suspended"/>
            <enumeration value="Stopped"/>
        </restriction>
    </simpleType>
    <simpleType name="JobStatusChangedReason">
        <restriction base="string">
            <enumeration value="failToReadMeasurementTypesForExtendedProlongPeriod"/>
            <enumeration value="internalProblem"/>
            <enumeration value="stopMeasurementJob"/>
            <enumeration value="stopTimeReached"/>
            <enumeration value="resumeMeasurementJob"/>
            <enumeration value="suspendMeasurementJob"/>
            <enumeration value="startTimeReached"/>
            <enumeration value="suspendMeasurementJobBySystem"/>
        </restriction>
    </simpleType>
    <complexType name="JobStatusChangedReasons">
        <sequence>
            <element name="Reason" type="xpi:JobStatusChangedReason" maxOccurs="unbounded"/>
        </sequence>
    </complexType>
    <simpleType name="MonitorStatusChangedReason">

```

```

    <restriction base="string">
      <enumeration value="ResumeThresholdMonitor"/>
      <enumeration value="SuspendThresholdMonitor"/>
    </restriction>
  </simpleType>
  <complexType name="MonitorStatusChangedReasons">
    <sequence>
      <element name="Reason" type="xpi:MonitorStatusChangedReason" maxOccurs="unbounded"/>
    </sequence>
  </complexType>
  <simpleType name="MonitorId">
    <restriction base="string">
      <minLength value="1"/>
    </restriction>
  </simpleType>
  <complexType name="DailyScheduling">
    <sequence minOccurs="0">
      <element name="intervalStart" type="time"/>
      <element name="intervalEnd" type="time"/>
    </sequence>
    <!-- This element type is allowed to be empty -->
  </complexType>
  <simpleType name="WeekDay">
    <restriction base="string">
      <enumeration value="Monday"/>
      <enumeration value="Tuesday"/>
      <enumeration value="Wednesday"/>
      <enumeration value="Thursday"/>
      <enumeration value="Friday"/>
      <enumeration value="Saturday"/>
      <enumeration value="Sunday"/>
    </restriction>
  </simpleType>
  <complexType name="WeekDays">
    <sequence>
      <element name="day" type="xpi:WeekDay" maxOccurs="7"/>
    </sequence>
  </complexType>
  <complexType name="WeeklyScheduling">
    <sequence>
      <element name="days" type="xpi:WeekDays" minOccurs="0"/>
      <element name="dailyScheduling" type="xpi:DailyScheduling" minOccurs="0"/>
    </sequence>
  </complexType>
  <simpleType name="GranularityPeriod">
    <restriction base="string">
      <enumeration value="5 Minutes"/>
      <enumeration value="15 Minutes"/>
      <enumeration value="30 Minutes"/>
      <enumeration value="1 Hour"/>
      <enumeration value="12 Hours"/>
      <enumeration value="24 Hours"/>
    </restriction>
  </simpleType>
  <simpleType name="MonitorGranularityPeriod">
    <restriction base="xpi:GranularityPeriod"/>
  </simpleType>
  <simpleType name="JobGranularityPeriod">
    <restriction base="xpi:GranularityPeriod"/>
  </simpleType>
  <simpleType name="JobReportingPeriod">
    <restriction base="positiveInteger"/>
    <!-- The legal value is in number of minutes and otherwise according to jobReportingPeriod
of 3GPP TS 32.412 -->
  </simpleType>
  <simpleType name="JobStartTime">
    <restriction base="dateTime"/>
  </simpleType>
  <simpleType name="JobStopTime">
    <restriction base="dateTime"/>
  </simpleType>
  <complexType name="JobSchedule">
    <choice>
      <element name="dailyScheduling" type="xpi:DailyScheduling"/>
      <element name="weeklyScheduling" type="xpi:WeeklyScheduling"/>
    </choice>
  </complexType>
  <simpleType name="JobPriority">

```

```

    <restriction base="string">
      <enumeration value="Low"/>
      <enumeration value="Medium"/>
      <enumeration value="High"/>
    </restriction>
  </simpleType>
  <simpleType name="PrabableCausePM">
    <restriction base="string">
      <enumeration value="Threshold Crossed"/>
    </restriction>
  </simpleType>
  <simpleType name="Direction">
    <restriction base="string">
      <enumeration value="Increasing"/>
      <enumeration value="Decreasing"/>
    </restriction>
  </simpleType>
  <simpleType name="QoSEventType">
    <restriction base="xai:EventType">
      <enumeration value="Quality Of Service Alarm"/>
    </restriction>
  </simpleType>
  <simpleType name="TcProbableCause">
    <restriction base="xai:ProbableCause">
      <enumeration value="Threshold Crossed"/>
    </restriction>
  </simpleType>
  <simpleType name="SpecificProblem">
    <restriction base="string"/>
  </simpleType>
  <simpleType name="ThresholdMonitorStatus">
    <restriction base="string">
      <enumeration value="Active"/>
      <enumeration value="Suspended"/>
    </restriction>
  </simpleType>
  <simpleType name="ThresholdSeverity">
    <restriction base="string">
      <enumeration value="Warning"/>
      <enumeration value="Minor"/>
      <enumeration value="Major"/>
      <enumeration value="Critical"/>
    </restriction>
  </simpleType>
  <!-- Attributes of the MeasurementJob IOC -->
  <element name="jobId" type="xpi:JobId"/>
  <element name="jobGranularityPeriod" type="xpi:JobGranularityPeriod"/>
  <element name="jobReportingPeriod" type="xpi:JobReportingPeriod"/>
  <element name="jobStatus" type="xpi:JobStatus"/>
  <element name="jobPriority" type="xpi:JobPriority"/>
  <!-- Attributes of the JobMeasurementSchedule IOC -->
  <element name="jobStartTime" type="xpi:JobStartTime"/>
  <element name="jobStopTime" type="xpi:JobStopTime"/>
  <element name="jobSchedule" type="xpi:JobSchedule"/>
  <!-- Attributes of the MeasuredAttribute IOC -->
  <element name="measurementTypeName" type="string"/>
  <!-- Attributes of the MeasurementReader IOC -->
  <element name="measurementResultValue" type="anyType"/>
  <element name="probableCause" type="xpi:TcProbableCause"/>
  <element name="specificProblem" type="xpi:SpecificProblem"/>
  <element name="direction" type="xpi:Direction"/>
  <!-- Attributes of the Monitor IOC -->
  <element name="monitorId" type="string"/>
  <element name="monitorGranularityPeriod" type="xpi:GranularityPeriod"/>
  <!-- Attributes of the ThresholdMonitor IOC -->
  <element name="thresholdMonitorStatus" type="xpi:ThresholdMonitorStatus"/>
  <!-- Attributes of the ThresholdLevel IOC -->
  <element name="thresholdValue" type="string"/>
  <element name="thresholdSeverity" type="xpi:ThresholdSeverity"/>
  <element name="hysteresis" type="string"/>
</schema>

```

Annex A (informative):  
Void

## Annex B (informative): Change history

Change history								
Date	TSG #	TSG Doc.	CR	Rev	Subject/Comment	Cat	Old	New
Mar 2007	SA_35	SP-070073	--	--	Submitted to TSG SA#35 for Approval	--	1.0.0	7.0.0
Jun 2007	SA_36	--	--	--	Deleted reference to CMIP SS, discontinued from R7 onw ards.	--	7.0.0	7.0.1
Mar 2009	SA_43	SP-090207	0001	--	Create a new XSD for IOCs	C	7.0.1	8.0.0
Dec 2009	SA_46	SP-090719	0002	--	Discontinue from Rel-9 onw ards the XML schema extraction and storage	F	8.0.0	9.0.0