

# 3GPP TS 32.355 V9.0.0 (2009-12)

---

*Technical Specification*

**3rd Generation Partnership Project;  
Technical Specification Group Services and System Aspects;  
Telecommunication management;  
Communication Surveillance (CS)  
Integration Reference Point (IRP);  
eXtensible Markup Language (XML) definitions  
(Release 9)**

---



The present document has been developed within the 3<sup>rd</sup> Generation Partnership Project (3GPP<sup>TM</sup>) and may be further elaborated for the purposes of 3GPP. The present document has not been subject to any approval process by the 3GPP Organizational Partners and shall not be implemented. This Specification is provided for future development work within 3GPP only. The Organizational Partners accept no liability for any use of this Specification. Specifications and reports for implementation of the 3GPP<sup>TM</sup> system should be obtained via the 3GPP Organizational Partners' Publications Offices.

---

Keywords

---

log management, file transfer

**3GPP**

Postal address

---

3GPP support office address

---

650 Route des Lucioles - Sophia Antipolis  
Valbonne - FRANCE  
Tel.: +33 4 92 94 42 00 Fax: +33 4 93 65 47 16

Internet

---

<http://www.3gpp.org>

---

**Copyright Notification**

No part may be reproduced except as authorized by written permission.  
The copyright and the foregoing restriction extend to reproduction in all media.

©2009, 3GPP Organizational Partners (ARIB, ATIS, CCSA, ETSI, TTA, TTC).  
All rights reserved.

UMTS™ is a Trade Mark of ETSI registered for the benefit of its members  
3GPP™ is a Trade Mark of ETSI registered for the benefit of its Members and of the 3GPP Organizational Partners  
LTE™ is a Trade Mark of ETSI currently being registered for the benefit of its Members and of the 3GPP Organizational Partners  
GSM® and the GSM logo are registered and owned by the GSM Association

---

# Contents

Foreword .....	4
Introduction .....	4
1 Scope .....	5
2 References.....	5
3 Definitions and abbreviations .....	5
3.1 Definitions .....	5
3.2 Abbreviations.....	5
4 CS IRP XML Definitions.....	6
4.1 CS IRP notifications XML definition structure .....	6
4.2 CS IRP XML Schema for notifications .....	7
4.3 CS IRP XML Schema for IOCs .....	7
<b>Annex A (informative): XML schema electronic files .....</b>	<b>9</b>
<b>Annex B (informative): Change history.....</b>	<b>10</b>

---

## Foreword

This Technical Specification has been produced by the 3<sup>rd</sup> Generation Partnership Project (3GPP).

The contents of the present document are subject to continuing work within the TSG and may change following formal TSG approval. Should the TSG modify the contents of the present document, it will be re-released by the TSG with an identifying change of release date and an increase in version number as follows:

Version x.y.z

where:

- x the first digit:
  - 1 presented to TSG for information;
  - 2 presented to TSG for approval;
  - 3 or greater indicates TSG approved document under change control.
- y the second digit is incremented for all changes of substance, i.e. technical enhancements, corrections, updates, etc.
- z the third digit is incremented when editorial only changes have been incorporated in the document.

---

## Introduction

The present document is part of a TS-family covering the 3<sup>rd</sup> Generation Partnership Project; Technical Specification Group Services and System Aspects; Telecommunication management, as identified below:

- 32.351: "Communication Surveillance (CS) Integration Reference Point (IRP): Requirements".
- 32.352: "Communication Surveillance (CS) Integration Reference Point (IRP): Information Service (IS)".
- 32.353: "Communication Surveillance (CS) Integration Reference Point (IRP): Common Object Request Broker Architecture (CORBA) Solution Set (SS)".
- 32.355: "Communication Surveillance (CS) Integration Reference Point (IRP): eXtensible Markup Language (XML) definitions".**

The present document is part of a TS-family defining the Telecommunication Management (TM) of 3G systems.

The TM principles are described in 3GPP TS 32.101 [1]. The TM architecture is described in 3GPP TS 32.102 [2].

The other specifications define the interface (Itf-N) between the managing system (manager), which is in general the Network Manager (NM) and the managed system (agent), which is either an Element Manager (EM) or the managed NE itself. The Itf-N is composed of a number of Integration Reference Points (IRPs) defining the information in the agent that is visible for the manager, the operations that the manager may perform on this information and the notifications that are sent from the agent to the manager. Communication Surveillance IRP (CSIRP) is one of these IRPs with special function.

To ensure the availability and reliability of the management, an automatic surveillance of the communication between NM and the managed system are required. CSIRP is defined as a capability to achieve this goal.

---

# 1 Scope

The present document specifies the XML Definitions for the Communication Surveillance IRP (CSIRP) as it applies to Itf-N, in accordance with CS IRP IS definitions [3], for usage with the Notification Log IRP XML Definitions [4].

This specification is related to 3GPP TS 32.352 V9.0.X.

---

## 2 References

The following documents contain provisions which, through reference in this text, constitute provisions of the present document.

- References are either specific (identified by date of publication, edition number, version number, etc.) or non-specific.
- For a specific reference, subsequent revisions do not apply.
- For a non-specific reference, the latest version applies. In the case of a reference to a 3GPP document (including a GSM document), a non-specific reference implicitly refers to the latest version of that document *in the same Release as the present document*.

- [1] 3GPP TS 32.101: "Telecommunication management; Principles and high level requirements".
- [2] 3GPP TS 32.102: "Telecommunication management; Architecture".
- [3] 3GPP TS 32.352: "Communication Surveillance(CS) Integration Reference Point (IRP): Information Service (IS)".
- [4] 3GPP TS 32.335: "Telecommunication management; Notification Log (NL) Integration Reference Point (IRP): eXtensible Markup Language (XML) solution definitions".
- [5] 3GPP TS 32.331: "Telecommunication management; Notification Log (NL) Integration Reference Point (IRP): Requirements".

---

## 3 Definitions and abbreviations

### 3.1 Definitions

For the purposes of the present document, the terms and definitions given in 3GPP TS 32.101 [1], 3GPP TS 32.102 [2], and 3GPP TS 32.331 [5] apply.

### 3.2 Abbreviations

For the purposes of the present document, the following abbreviations apply:

CS	Communication Surveillance
CSIRP	Communication Surveillance IRP
IRP	Integration Reference Point
IS	Information Service
NL	Notification Log
NRM	Network Resource Model
UML	Unified Modelling Language
XML	eXtensible Markup Language

## 4 CS IRP XML Definitions

### 4.1 CS IRP notifications XML definition structure

This section provides XML definitions of CS IRP notifications as defined in 3GPP TS 32.352 [3].

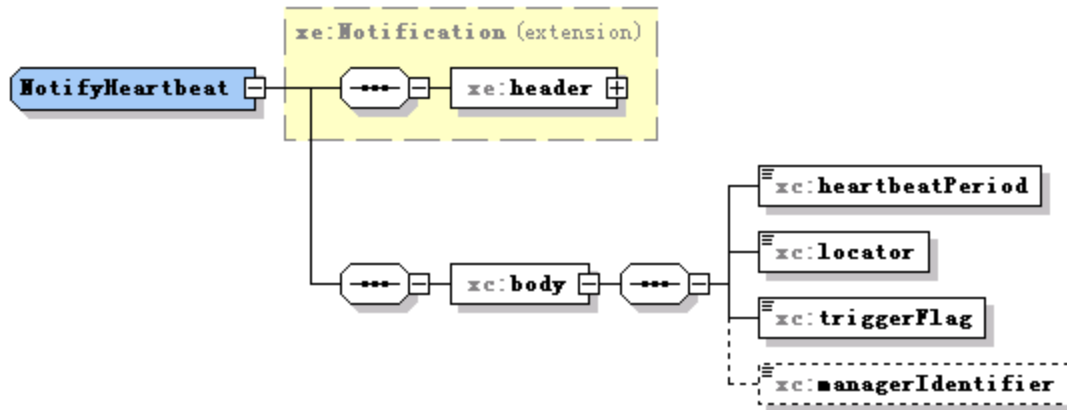


Figure 1

NOTE: The use of XML schema key word "sequence" to support IS-defined set (not sequence) is for the purpose of XML processor efficiency. This shall not imply the use of "sequence" in other technology.

### 4.2 CS IRP XML Schema for notifications

```

<?xml version="1.0" encoding="UTF-8"?>
<!--
  3GPP TS 32.355 CSIRP Notification XML Schema
  cSIRPNotif.xsd
-->
<schema xmlns:xc="http://www.3gpp.org/ftp/specs/archive/32_series/32.355#cSIRPNotif"
  xmlns:xci="http://www.3gpp.org/ftp/specs/archive/32_series/32.355#cSIRPIOCs"
  xmlns:xe="http://www.3gpp.org/ftp/specs/archive/32_series/32.305#notification"
  xmlns="http://www.w3.org/2001/XMLSchema"
  targetNamespace="http://www.3gpp.org/ftp/specs/archive/32_series/32.355#cSIRPNotif"
  elementFormDefault="qualified" attributeFormDefault="unqualified">
  <import namespace="http://www.3gpp.org/ftp/specs/archive/32_series/32.355#cSIRPIOCs"/>
  <import namespace="http://www.3gpp.org/ftp/specs/archive/32_series/32.305#notification"/>
  <simpleType name="TriggerFlag">
    <restriction base="string">
      <enumeration value="IRPManager"/>
      <enumeration value="IRPAgent"/>
    </restriction>
  </simpleType>
  <complexType name="NotifyHeartbeat">
    <complexContent>
      <extension base="xe:Notification">
        <sequence>
          <element name="body">
            <complexType>
              <sequence>
                <element name="heartbeatPeriod" type="xci:HeartbeatPeriod"/>
                <element name="locator" type="string"/>
                <element name="triggerFlag" type="xc:TriggerFlag"/>
                <element name="managerIdentifier" type="string" minOccurs="0"/>
              </sequence>
            </complexType>
          </element>
        </sequence>
      </extension>
    </complexContent>
  </complexType>
</schema>

```

```

    </complexContent>
  </complexType>
  <element name="NotifyHeartbeat" type="xc:NotifyHeartbeat"/>
</schema>

```

## 4.3 CS IRP XML Schema for IOCs

```

<?xml version="1.0" encoding="UTF-8"?>
<!--
3GPP TS 32.355 CSIRP Notification XML Schema
cSIRPIOCs.xsd
-->
<schema xmlns:xci="http://www.3gpp.org/ftp/specs/archive/32_series/32.355#cSIRPIOCs"
xmlns:xe="http://www.3gpp.org/ftp/specs/archive/32_series/32.305#notification"
xmlns="http://www.w3.org/2001/XMLSchema"
targetNamespace="http://www.3gpp.org/ftp/specs/archive/32_series/32.355#cSIRPIOCs"
elementFormDefault="qualified" attributeFormDefault="unqualified">
  <simpleType name="HeartbeatPeriod">
    <restriction base="unsignedLong">
      <fractionDigits value="0"/>
      <minInclusive value="5"/>
      <maxInclusive value="60"/>
    </restriction>
  </simpleType>
  <simpleType name="CountDownTimer">
    <restriction base="unsignedLong">
      <maxInclusive value="60"/>
    </restriction>
  </simpleType>
  <!-- attributes of the CSIRP IOC -->
  <element name="heartbeatPeriod" type="xci:HeartbeatPeriod"/>
  <element name="countDownTimer" type="xci:CountDownTimer"/>
</schema>

```

Annex A (informative):  
Void



---

## Annex B (informative): Change history

Change history								
Date	TSG #	TSG Doc.	CR	Rev	Subject/Comment	Cat	Old	New
2009-12	SA#46	SP-090734	--	--	Presentation to SA for Information and Approval	--	---	1.0.0
2009-12	--	--	--	--	Publication of approved version	--	1.0.0	8.0.0
2009-12	-	-	-	-	Update to Rel-9 version (MCC)	8.0.0		9.0.0