

# 3GPP TS 32.335 V9.0.0 (2009-12)

---

*Technical Specification*

**3rd Generation Partnership Project;  
Technical Specification Group Services and System Aspects;  
Telecommunication management;  
Notification Log (NL) Integration Reference Point (IRP);  
eXtensible Markup Language (XML) solution definitions  
(Release 9)**

---



The present document has been developed within the 3<sup>rd</sup> Generation Partnership Project (3GPP<sup>TM</sup>) and may be further elaborated for the purposes of 3GPP. The present document has not been subject to any approval process by the 3GPP Organizational Partners and shall not be implemented. This Specification is provided for future development work within 3GPP only. The Organizational Partners accept no liability for any use of this Specification. Specifications and reports for implementation of the 3GPP<sup>TM</sup> system should be obtained via the 3GPP Organizational Partners' Publications Offices.

---

Keywords

---

UMTS, management

**3GPP**

Postal address

---

3GPP support office address

---

650 Route des Lucioles - Sophia Antipolis  
Valbonne - FRANCE  
Tel.: +33 4 92 94 42 00 Fax: +33 4 93 65 47 16

Internet

---

<http://www.3gpp.org>

---

**Copyright Notification**

---

No part may be reproduced except as authorized by written permission.  
The copyright and the foregoing restriction extend to reproduction in all media.

© 2008, 3GPP Organizational Partners (ARIB, ATIS, CCSA, ETSI, TTA, TTC).  
All rights reserved.

UMTS™ is a Trade Mark of ETSI registered for the benefit of its members  
3GPP™ is a Trade Mark of ETSI registered for the benefit of its Members and of the 3GPP Organizational Partners  
LTE™ is a Trade Mark of ETSI currently being registered for the benefit of its Members and of the 3GPP Organizational Partners  
GSM® and the GSM logo are registered and owned by the GSM Association

---

# Contents

Foreword .....	4
Introduction .....	4
1 Scope .....	5
2 References.....	5
3 Definitions and abbreviations .....	6
3.1 Definitions .....	6
3.2 Abbreviations.....	6
4 Structure and content of NL IRP XML .....	6
4.1 Global structure.....	6
4.2 XML elements fileHeader and fileFooter .....	6
4.3 NL IRP XML File Name Conventions.....	6
4.4 NL Interface IRP-specific XML schemas .....	7
4.5 NL IRP XML File Content Definitions .....	7
4.5.1 NL IRP XML Data File.....	7
4.6 NL IRP Notification XML Definitions.....	8
<b>Annex A (normative):</b>	
<b>Configuration data file base XML schema</b> <b>(file name "notificationLog.xsd").....</b>	<b>9</b>
<b>Annex B (normative):</b>	
<b>NotificationLogIRP Notification XML schema</b> <b>(file name "ntfLogNotif.xsd").....</b>	<b>10</b>
<b>Annex C (informative):</b>	
<b>NL IRP XML Example Notification.....</b>	<b>13</b>
<b>Annex D (informative):</b>	
<b>Void .....</b>	<b>17</b>
<b>Annex E (informative):</b>	
<b>Change history.....</b>	<b>18</b>

---

## Foreword

This Technical Specification has been produced by the 3<sup>rd</sup> Generation Partnership Project (3GPP).

The contents of the present document are subject to continuing work within the TSG and may change following formal TSG approval. Should the TSG modify the contents of the present document, it will be re-released by the TSG with an identifying change of release date and an increase in version number as follows:

Version x.y.z

where:

- x the first digit:
  - 1 presented to TSG for information;
  - 2 presented to TSG for approval;
  - 3 or greater indicates TSG approved document under change control.
- y the second digit is incremented for all changes of substance, i.e. technical enhancements, corrections, updates, etc.
- z the third digit is incremented when editorial only changes have been incorporated in the document.

---

## Introduction

The present document is part of a TS-family covering the 3<sup>rd</sup> Generation Partnership Project; Technical Specification Group Services and System Aspects; Telecommunication management; as identified below:

- 32.331 "Notification Log (NL) Integration Reference Point (IRP); Requirements".
- 32.332 "Notification Log (NL) Integration Reference Point (IRP); Information Service (IS)".
- 32.333 "Notification Log (NL) Integration Reference Point (IRP); Common Object Request Broker Architecture (CORBA) Solution Set (SS)".
- 32.335 "Notification Log (NL) Integration Reference Point (IRP); eXtensible Markup Language (XML) solution definitions".**

The present document is part of a TS-family, which describes the requirements and information model necessary for Telecommunications Management (TM). The TM principles and TM architecture are specified in 3GPP TS 32.101 [1] and 3GPP TS 32.102 [2].

A communications system is composed of a multitude of Network Elements (NE) of various types and, typically, different vendors, which inter-operate in a coordinated manner in order to satisfy the network users' communication requirements.

The occurrence of faults in an NE may cause deterioration or loss of this NE's function. Fault Management is the functional area, which allows the operator to detect the occurrence of faults in the network in real-time. Configuration Management and Performance Management are two more functional areas, which require the operator to be alerted to certain conditions in the network.

A standard general-purpose mechanism for the management of logs containing selected notifications from the network is required to provide an ability to perform historical analysis on faults and conditions, which occurred in the network. The documents series 32.33x, constituting the Notification Log IRP, sets forth such a mechanism - and the present document contains the relevant XML definition.

---

# 1 Scope

The present document specifies the XML Definitions for the Notification Log IRP as it applies to Itf-N, in accordance with the requirements in 3GPP TS 32.331 [3] and Information Service definitions in 3GPP TS 32.332 [4].

This XML Definitions specification defines the XML syntax of the NL IRP XML Data File.

[This specification is related to 3GPP TS 32.332 V9.0.X.](#)

---

# 2 References

The following documents contain provisions which, through reference in this text, constitute provisions of the present document.

- References are either specific (identified by date of publication, edition number, version number, etc.) or non-specific.
- For a specific reference, subsequent revisions do not apply.
- For a non-specific reference, the latest version applies. In the case of a reference to a 3GPP document (including a GSM document), a non-specific reference implicitly refers to the latest version of that document *in the same Release as the present document*.

- [1] 3GPP TS 32.101: "Telecommunication management; Principles and high level requirements".
- [2] 3GPP TS 32.102: "Telecommunication management; Architecture".
- [3] 3GPP TS 32.331: "Telecommunication management; Notification Log (NL) Integration Reference Point (IRP): Requirements".
- [4] 3GPP TS 32.332: "Telecommunication management; Notification Log (NL) Integration Reference Point (IRP): Information Service (IS)".
- [5] 3GPP TS 32.342: "Telecommunication management; File Transfer (FT) Integration Reference Point (IRP); Information Service (IS)".
- [6] 3GPP TS 32.305: "Telecommunication management; Configuration Management (CM); Notification Integration Reference Point (IRP): eXtensible Markup Language (XML) definitions".
- [7] 3GPP TS 32.111-5: "Telecommunication management; Fault Management; Part 5: Alarm Integration Reference Point (IRP): eXtensible Markup Language (XML) definitions".

---

## 3 Definitions and abbreviations

### 3.1 Definitions

For the purposes of the present document, the terms and definitions given in 3GPP TS 32.101 [1], 3GPP TS 32.102 [2], and 3GPP TS 32.331 [3] apply.

### 3.2 Abbreviations

For the purposes of the present document, the following abbreviations apply:

IRP	Integration Reference Point
IS	Information Service
NL	Notification Log
UML	Unified Modelling Language
IRP	Integration Reference Point
NRM	Network Resource Model
XML	eXtensible Markup Language

---

## 4 Structure and content of NL IRP XML

The present clause defines the XML exchanged between an IRPManager and an IRPAgent as part of NL IRP IS (see 3GPP TS 32.332 [4]):

- the NL IRP XML Data File,
- NL IRP notifications.

The use of XML schemas ensures NL XML have the proper structure and to some extent the proper content, and in particular to ensure:

- for a given Notification instance, it is properly named/positioned with regard to the global naming tree;
- for a given Notification instance, only attributes of the corresponding Notification are present;
- for a given Notification attribute, its value is of the proper type.

XML definitions for other application specific notifications (e.g. Alarm IRP notifications, Notification IRP Notification Header) are defined within the respective IRP series within specification 32.xy5.

### 4.1 Global structure

*Editor's Note: To be added in future version of this specification.*

### 4.2 XML elements fileHeader and fileFooter

*Editor's Note: To be added in future version of this specification.*

### 4.3 NL IRP XML File Name Conventions

For NL IRP XML File Name Conventions the generic file name definitions as specified by the FT IRP apply (see [5]).

## 4.4 NL Interface IRP-specific XML schemas

Interface IRP-specific XML schemas with definition of corresponding XML namespace prefixes are listed by the following table:

**Table 4.4: Interface IRP-specific XML schemas, corresponding 3GPP TSs and XML namespace prefixes**

IRP	XML schema	3GPP TS no.	XML namespace prefix
Alarm IRP	alarmIRPnotif.xsd	32.111-5 [7]	xa
Notification IRP	notification.xsd	32.305 [6]	xe
Notification Log IRP	notificationLog.xsd	32.335	xl

Each Interface IRP-specific XML schema explicitly declares Interface IRP-specific XML element types for the related Interface IRP.

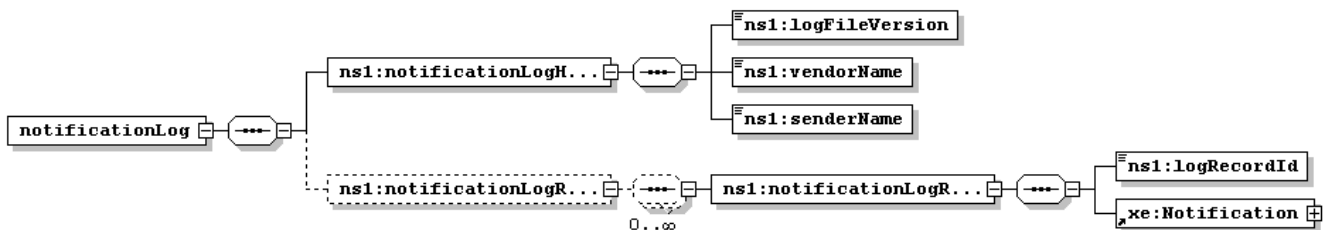
Additionally, XML schema notification.xsd (see [06]) also provides global XML declarations and definitions for the support of:

- Notification header XML element type declaration

## 4.5 NL IRP XML File Content Definitions

### 4.5.1 NL IRP XML Data File

The structure of the Notification Log IRP XML Data File is shown in graphical depiction below:



**Figure 4.5.1: Structure of the Notification Log IRP XML Data File**

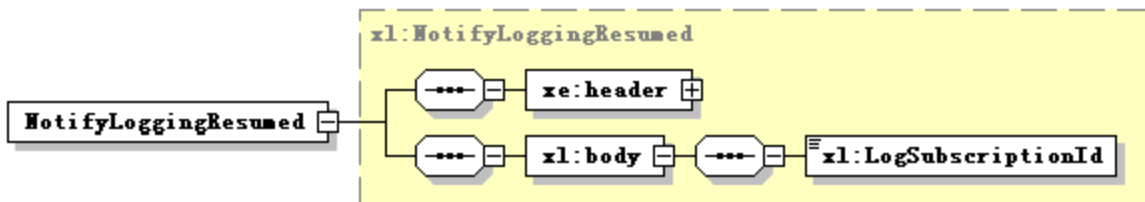
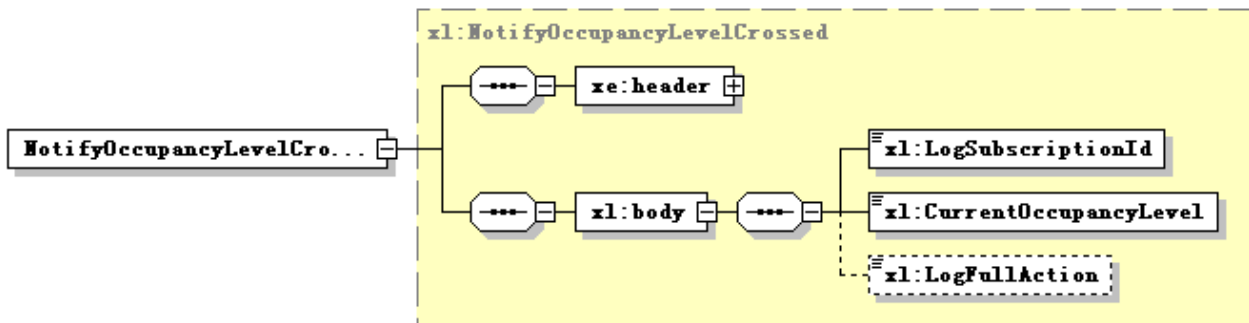
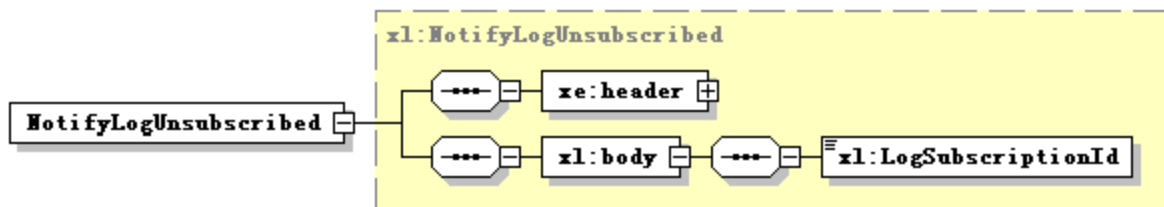
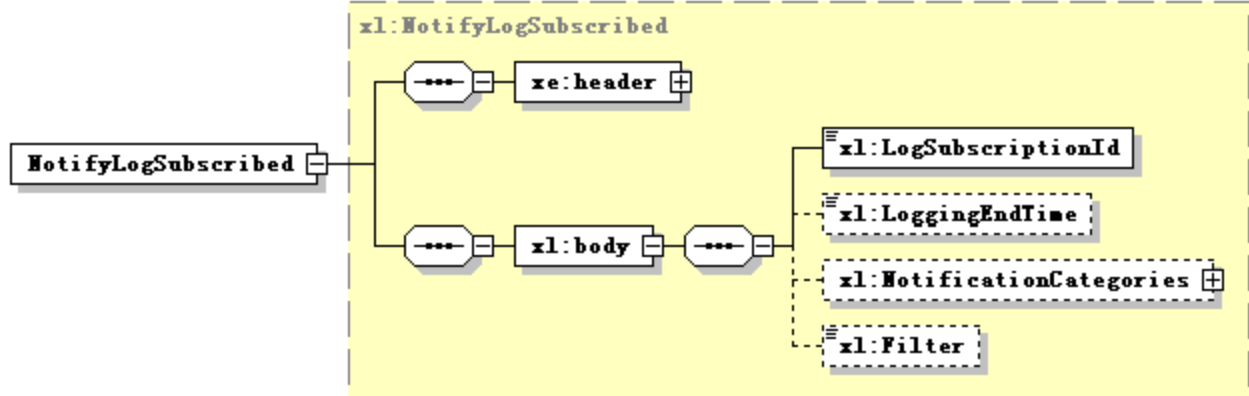
The notificationLogRecords element holds the instances of the notification records that are imported from the Notification Format XML schema. Note that Notification Header XML definitions are provided in [6].

The Notification Log IRP XML Data File is a simple instance based construct. The XML schema for the Notification Log IRP XML Data File is defined in Annex A.

### 4.6 NL IRP Notification XML Definitions

This clause provides XML definitions of Notification Log IRP notifications as defined in 3GPP TS 32.332 [4].

The structure of the NotificationLogIRP Notification XML Definitions is shown in graphical depiction below:



The use of XML schema key word "sequence" to support IS-defined set (not sequence) is for the purpose of XML processor efficiency. This shall not imply the use of "sequence" in other technology.



## Annex A (normative): Configuration data file base XML schema (file name "notificationLog.xsd")

```

<?xml version="1.0" encoding="UTF-8"?>
<!--
  3GPP TS 32.335 Notification Log IRP
  3GPP Notification Log IRP XML Solution Definition, Schema Definition
  notificationLog.xsd
-->
<schema
  targetNamespace="http://www.3gpp.org/ftp/specs/archive/32_series/32.335#notificationLog"
  elementFormDefault="qualified"
  attributeFormDefault="unqualified"
  xmlns="http://www.w3.org/2001/XMLSchema"
  xmlns:xe="http://www.3gpp.org/ftp/specs/archive/32_series/32.305#notification"
  xmlns:xa="http://www.3gpp.org/ftp/specs/archive/32_series/32.111-5#alarmIRPNotif"
>
  <import namespace="http://www.3gpp.org/ftp/specs/archive/32_series/32.305#notification"/>
  <element name="notificationLog">
    <complexType>
      <sequence>
        <element name="notificationLogHeader" minOccurs="1" maxOccurs="1">
          <complexType>
            <sequence>
              <element name="logFileVersion" type="string" minOccurs="1"
maxOccurs="1"/>
              <element name="vendorName" type="string" minOccurs="1" maxOccurs="1"/>
              <element name="senderName" type="string" minOccurs="1" maxOccurs="1"/>
            </sequence>
          </complexType>
        </element>
        <element name="notificationLogRecords" minOccurs="0">
          <complexType>
            <sequence minOccurs="0" maxOccurs="unbounded">
              <element name="notificationLogRecord">
                <complexType>
                  <sequence>
                    <element name="logRecordId" type="string"/>
                    <element ref="xe:Notification"/>
                  </sequence>
                </complexType>
              </element>
            </sequence>
          </complexType>
        </element>
      </sequence>
    </complexType>
  </element>
</schema>

```

## Annex B (normative): NotificationLogIRP Notification XML schema (file name "ntfLogNotif.xsd")

```

<?xml version="1.0" encoding="UTF-8"?>
<!--
  3GPP TS 32.335 NotificationLogIRP Notification XML Schema
  ntfLogIRPNotif.xsd
-->
<schema xmlns:xl="http://www.3gpp.org/ftp/specs/archive/32_series/32.335#ntfLogIRPNotif"
  xmlns:xe="http://www.3gpp.org/ftp/specs/archive/32_series/32.305#notification"
  xmlns="http://www.w3.org/2001/XMLSchema"
  targetNamespace="http://www.3gpp.org/ftp/specs/archive/32_series/32.335#ntfLogIRPNotif"
  elementFormDefault="qualified" attributeFormDefault="unqualified">
  <import namespace="http://www.3gpp.org/ftp/specs/archive/32_series/32.305#notification"/>
  <simpleType name="LogSubscriptionId">
    <restriction base="string">
      <minLength value="1"/>
    </restriction>
  </simpleType>
  <simpleType name="CurrentOccupancyLevel">
    <restriction base="short">
      <maxInclusive value="100"/>
      <minInclusive value="0"/>
    </restriction>
  </simpleType>
  <simpleType name="LogFullAction">
    <restriction base="string">
      <enumeration value="Wrap"/>
      <enumeration value="Halt"/>
    </restriction>
  </simpleType>
  <complexType name="NotificationCategories">
    <sequence>
      <element name="IRPVersion" type="string" maxOccurs="unbounded"/>
    </sequence>
  </complexType>
  <complexType name="NotifyLogSubscribed">
    <complexContent>
      <extension base="xe:Notification">
        <sequence>
          <element name="body">
            <complexType>
              <sequence>
                <element name="LogSubscriptionId" type="xl:LogSubscriptionId"/>
                <element name="LoggingEndTime" type="dateTime" minOccurs="0"/>
                <element name="NotificationCategories"
  type="xl:NotificationCategories" minOccurs="0"/>
                <element name="Filter" type="string" minOccurs="0"/>
              </sequence>
            </complexType>
          </element>
        </sequence>
      </extension>
    </complexContent>
  </complexType>
  <complexType name="NotifyLogUnsubscribed">
    <complexContent>
      <extension base="xe:Notification">
        <sequence>
          <element name="body">
            <complexType>
              <sequence>
                <element name="LogSubscriptionId" type="xl:LogSubscriptionId"/>
              </sequence>
            </complexType>
          </element>
        </sequence>
      </extension>
    </complexContent>
  </complexType>
  <complexType name="NotifyOccupancyLevelCrossed">
    <complexContent>

```

```

    <extension base="xe:Notification">
      <sequence>
        <element name="body">
          <complexType>
            <sequence>
              <element name="LogSubscriptionId" type="xl:LogSubscriptionId"/>
              <element name="CurrentOccupancyLevel"
type="xl:CurrentOccupancyLevel"/>
              <element name="LogFullAction" type="xl:LogFullAction"
minOccurs="0"/>
            </sequence>
          </complexType>
        </element>
      </sequence>
    </extension>
  </complexContent>
</complexType>
<complexType name="NotifyLoggingResumed">
  <complexContent>
    <extension base="xe:Notification">
      <sequence>
        <element name="body">
          <complexType>
            <sequence>
              <element name="LogSubscriptionId" type="xl:LogSubscriptionId"/>
            </sequence>
          </complexType>
        </element>
      </sequence>
    </extension>
  </complexContent>
</complexType>
<element name="NotifyLogSubscribed" type="xl:NotifyLogSubscribed"/>
<element name="NotifyLogUnsubscribed" type="xl:NotifyLogUnsubscribed"/>
<element name="NotifyOccupancyLevelCrossed" type="xl:NotifyOccupancyLevelCrossed"/>
<element name="NotifyLoggingResumed" type="xl:NotifyLoggingResumed"/>
</schema>

```



## Annex C (informative): NL IRP XML Example Notification

This annex provides an XML example notification, demonstrating the use of and the embedding into the NL IRP XML Notification Format. This example makes use of the Alarm IRP XML Schema for Notification.

```
<?xml version="1.0" encoding="UTF-8"?>
<notificationLog xmlns="http://www.3gpp.org/ftp/specs/archive/32_series/32.335#notificationLog"
xmlns:xe="http://www.3gpp.org/ftp/specs/archive/32_series/32.305#notification"
xmlns:xsi="http://www.w3.org/2001/XMLSchema-instance"
xsi:schemaLocation="http://www.3gpp.org/ftp/specs/archive/32_series/32.335#notificationLog
NotificationLog.xsd" >
  <notificationLogHeader>
    <logFileVersion>32.335 V7.1</logFileVersion>
    <vendorName>Text</vendorName>
    <senderName>Text</senderName>
  </notificationLogHeader>
  <notificationLogRecords>
    <notificationLogRecord>
      <logRecordId>1001</logRecordId>
      <xe:Notification xsi:type="NotifyNewSecurityAlarm"
xmlns="http://www.3gpp.org/ftp/specs/archive/32_series/32.111-5#alarmIRPNotif"
xsi:schemaLocation="http://www.3gpp.org/ftp/specs/archive/32_series/32.111-5#alarmIRPNotif
alarmIRPNotif.xsd">
        <xe:header>
          <xe:objectInstance>String</xe:objectInstance>
          <xe:notificationId>2147483647</xe:notificationId>
          <xe:eventTime>2001-12-17T09:30:47.0Z</xe:eventTime>
          <xe:systemDN>String</xe:systemDN>
          <xe:notificationType>String</xe:notificationType>
        </xe:header>
        <body>
          <probableCause>Indeterminate</probableCause>
          <perceivedSeverity>Critical</perceivedSeverity>
          <alarmType>Communications Alarm</alarmType>
          <correlatedNotifications>
            <correlatedNotification>
              <source>String</source>
              <notificationIdSet>
                <notificationId>2147483647</notificationId>
              </notificationIdSet>
            </correlatedNotification>
          </correlatedNotifications>
          <additionalText>String</additionalText>
          <additionalInformation>String</additionalInformation>
        </body>
      </xe:Notification>
    </notificationLogRecord>
    <notificationLogRecord>
      <logRecordId>String</logRecordId>
      <xe:Notification xsi:type="NotifyNewAlarm"
xmlns="http://www.3gpp.org/ftp/specs/archive/32_series/32.111-5#alarmIRPNotif"
xsi:schemaLocation="http://www.3gpp.org/ftp/specs/archive/32_series/32.111-5#alarmIRPNotif
alarmIRPNotif.xsd">
        <xe:header>
          <xe:objectInstance>String</xe:objectInstance>
          <xe:notificationId>2147483647</xe:notificationId>
          <xe:eventTime>2001-12-17T09:30:47.0Z</xe:eventTime>
          <xe:systemDN>String</xe:systemDN>
          <xe:notificationType>String</xe:notificationType>
        </xe:header>
        <body>
          <probableCause>Indeterminate</probableCause>
          <perceivedSeverity>Critical</perceivedSeverity>
          <alarmType>Communications Alarm</alarmType>
          <alarmId>String</alarmId>
          <specificProblem>String</specificProblem>
          <correlatedNotifications>
            <correlatedNotification>
              <source>String</source>
              <notificationIdSet>
                <notificationId>2147483647</notificationId>
              </notificationIdSet>
            </correlatedNotification>
          </correlatedNotifications>
        </body>
      </xe:Notification>
    </notificationLogRecord>
  </notificationLogRecords>
</notificationLog>
```

```

<backedUpStatus>true</backedUpStatus>
<backupObject>String</backupObject>
<trendIndication>Less Severe</trendIndication>
<thresholdInfo>
  <attributeId>String</attributeId>
  <observedValue>3.14159E0</observedValue>
  <thresholdLevel>
    <indication>Up</indication>
    <low>3.14159E0</low>
    <high>3.14159E0</high>
  </thresholdLevel>
  <armTime>2001-12-17T09:30:47.0Z</armTime>
</thresholdInfo>
<stateChangeDefinition>
  <stateValueChange>
    <attributeName>Administrative State</attributeName>
    <oldValue>
      <administrativeState>locked</administrativeState>
    </oldValue>
    <newValue>
      <administrativeState>unlocked</administrativeState>
    </newValue>
  </stateValueChange>
  <stateValueChange>
    <attributeName>Usage State</attributeName>
    <oldValue>
      <usageState>idle</usageState>
    </oldValue>
    <newValue>
      <usageState>busy</usageState>
    </newValue>
  </stateValueChange>
</stateChangeDefinition>
<monitoredAttributes>
  <attributeValue>
    <attributeName>String</attributeName>
    <attributeValue>Text</attributeValue>
  </attributeValue>
</monitoredAttributes>
<proposedRepairActions>String</proposedRepairActions>
<additionalText>String</additionalText>
<additionalInformation>String</additionalInformation>
</body>
</xe:Notification>
</notificationLogRecord>
<notificationLogRecord>
  <logRecordId/>
  <xe:Notification xsi:type="NotifyAckStateChanged"
xmlns="http://www.3gpp.org/ftp/specs/archive/32_series/32.111-5#alarmIRPNotif"
  <xe:header>
    <xe:objectInstance>String</xe:objectInstance>
    <xe:notificationId>2147483647</xe:notificationId>
    <xe:eventTime>2001-12-17T09:30:47.0Z</xe:eventTime>
    <xe:systemDN>String</xe:systemDN>
    <xe:notificationType>String</xe:notificationType>
  </xe:header>
  <body>
    <probableCause>Indeterminate</probableCause>
    <perceivedSeverity>Critical</perceivedSeverity>
    <alarmType>Communications Alarm</alarmType>
    <alarmId>String</alarmId>
    <ackState>Acknowledged</ackState>
    <ackUserId>String</ackUserId>
    <ackSystemId>String</ackSystemId>
  </body>
</xe:Notification>
</notificationLogRecord>
<notificationLogRecord>
  <logRecordId/>
  <xe:Notification xsi:type="NotifyAlarmListRebuilt"
xmlns="http://www.3gpp.org/ftp/specs/archive/32_series/32.111-5#alarmIRPNotif"
  <xe:header>
    <xe:objectInstance>String</xe:objectInstance>
    <xe:notificationId>2147483647</xe:notificationId>
    <xe:eventTime>2001-12-17T09:30:47.0Z</xe:eventTime>
    <xe:systemDN>String</xe:systemDN>
    <xe:notificationType>String</xe:notificationType>
  </xe:header>
  <body>

```

```

        <reason>
            <predefined>Agent NE Communications Error</predefined>
        </reason>
        <alarmListAlignmentRequirement>Alignment
Required</alarmListAlignmentRequirement>
    </body>
</xe:Notification>
</notificationLogRecord>
<notificationLogRecord>
    <logRecordId/>
    <xe:Notification xsi:type="NotifyChangedAlarm"
xmlns="http://www.3gpp.org/ftp/specs/archive/32_series/32.111-5#alarmIRPNotif"
    <xe:header>
        <xe:objectInstance>String</xe:objectInstance>
        <xe:notificationId>2147483647</xe:notificationId>
        <xe:eventTime>2001-12-17T09:30:47.0Z</xe:eventTime>
        <xe:systemDN>String</xe:systemDN>
        <xe:notificationType>String</xe:notificationType>
    </xe:header>
    <body>
        <probableCause>Indeterminate</probableCause>
        <perceivedSeverity>Critical</perceivedSeverity>
        <alarmType>Communications Alarm</alarmType>
        <alarmId>String</alarmId>
    </body>
    </xe:Notification>
</notificationLogRecord>
<notificationLogRecord>
    <logRecordId/>
    <xe:Notification xsi:type="NotifyClearedAlarm"
xmlns="http://www.3gpp.org/ftp/specs/archive/32_series/32.111-5#alarmIRPNotif"
    <xe:header>
        <xe:objectInstance>String</xe:objectInstance>
        <xe:notificationId>2147483647</xe:notificationId>
        <xe:eventTime>2001-12-17T09:30:47.0Z</xe:eventTime>
        <xe:systemDN>String</xe:systemDN>
        <xe:notificationType>String</xe:notificationType>
    </xe:header>
    <body>
        <probableCause>Indeterminate</probableCause>
        <perceivedSeverity>Critical</perceivedSeverity>
        <alarmType>Communications Alarm</alarmType>
        <alarmId>String</alarmId>
        <correlatedNotifications>
            <correlatedNotification>
                <source>String</source>
                <notificationIdSet>
                    <notificationId>2147483647</notificationId>
                    <notificationId>2147483647</notificationId>
                </notificationIdSet>
            </correlatedNotification>
            <correlatedNotification>
                <source>String</source>
                <notificationIdSet>
                    <notificationId>2147483647</notificationId>
                    <notificationId>2147483647</notificationId>
                </notificationIdSet>
            </correlatedNotification>
        </correlatedNotifications>
        <clearUserId>String</clearUserId>
        <clearSystemId>String</clearSystemId>
    </body>
    </xe:Notification>
</notificationLogRecord>
<notificationLogRecord>
    <logRecordId/>
    <xe:Notification xsi:type="NotifyComments"
xmlns="http://www.3gpp.org/ftp/specs/archive/32_series/32.111-5#alarmIRPNotif"
    <xe:header>
        <xe:objectInstance>String</xe:objectInstance>
        <xe:notificationId>2147483647</xe:notificationId>
        <xe:eventTime>2001-12-17T09:30:47.0Z</xe:eventTime>
        <xe:systemDN>String</xe:systemDN>
        <xe:notificationType>String</xe:notificationType>
    </xe:header>
    <body>
        <alarmType>Communications Alarm</alarmType>
        <probableCause>Indeterminate</probableCause>

```

```

    <perceivedSeverity>Critical</perceivedSeverity>
    <comments>
      <comment>
        <commentDate>2001-12-17T09:30:47.0Z</commentDate>
        <commentText>String</commentText>
        <userId>String</userId>
        <systemId>String</systemId>
      </comment>
    </comments>
    <alarmId>String</alarmId>
  </body>
</xe:Notification>
</notificationLogRecord>
<notificationLogRecord>
  <logRecordId/>
  <xe:Notification xsi:type="NotifyPotentialFaultyAlarmList"
xmlns="http://www.3gpp.org/ftp/specs/archive/32_series/32.111-5#alarmIRPNotif"
  <xe:header>
    <xe:objectInstance>String</xe:objectInstance>
    <xe:notificationId>2147483647</xe:notificationId>
    <xe:eventTime>2001-12-17T09:30:47.0Z</xe:eventTime>
    <xe:systemDN>String</xe:systemDN>
    <xe:notificationType>String</xe:notificationType>
  </xe:header>
  <body>
    <reason>
      <predefined>Agent NE Communications Error</predefined>
    </reason>
  </body>
</xe:Notification>
</notificationLogRecord>
</notificationLogRecords>
</notificationLog>

```



Annex D (informative):  
Void

## Annex E (informative): Change history

Change history								
Date	TSG #	TSG Doc.	CR	Rev	Subject/Comment	Cat	Old	New
Sep 2004	SA_25	SP-040564	--	--	Submitted to TSG SA#25 for Information	--	1.0.0	
Jun 2005	SA_28	SP-050291	--	--	Submitted to TSG SA#28 for Approval	--	2.0.0	6.0.0
Mar 2006	SA_31	SP-060091	0001	--	Correct a validating error in notificationLog.xsd	F	6.0.0	6.1.0
Dec 2006	SA_34	SP-060709	0002	--	Correct XML schema	F	6.1.0	6.2.0
Mar 2007	SA_35	SP-070046	0003	--	Add Notification XML definition in NotificationLogIRP	B	6.2.0	7.0.0
Jun 2007	SA_40	SP-080328	0004	--	Correction of the Notification Log XML example	F	7.0.0	7.1.0
Dec 2008	SA_42	--	--	--	Upgrade to Release 8	--	7.1.0	8.0.0
Dec 2009	SA_46	SP-090719	0005	--	Discontinue from Rel-9 onwards the XML schema extraction and storage	F	8.0.0	9.0.0