

3GPP TS 32.154 V11.0.0 (2012-09)

Technical Specification

3rd Generation Partnership Project; Technical Specification Group Services and System Aspects; Telecommunication management; Backward and Forward Compatibility (BFC); Concept and definitions (Release 11)



The present document has been developed within the 3rd Generation Partnership Project (3GPPTM) and may be further elaborated for the purposes of 3GPP. The present document has not been subject to any approval process by the 3GPP Organizational Partners and shall not be implemented. This Specification is provided for future development work within 3GPP only. The Organizational Partners accept no liability for any use of this Specification. Specifications and reports for implementation of the 3GPPTM system should be obtained via the 3GPP Organizational Partners' Publications Offices.

Keywords

GSM, UMTS, management

3GPP

Postal address

3GPP support office address

650 Route des Lucioles - Sophia Antipolis
Valbonne - FRANCE
Tel.: +33 4 92 94 42 00 Fax: +33 4 93 65 47 16

Internet

<http://www.3gpp.org>

Copyright Notification

No part may be reproduced except as authorized by written permission.
The copyright and the foregoing restriction extend to reproduction in all media.

© 2012, 3GPP Organizational Partners (ARIB, ATIS, CCSA, ETSI, TTA, TTC).
All rights reserved.

UMTS™ is a Trade Mark of ETSI registered for the benefit of its members
3GPP™ is a Trade Mark of ETSI registered for the benefit of its Members and of the 3GPP Organizational Partners
LTE™ is a Trade Mark of ETSI currently being registered for the benefit of its Members and of the 3GPP Organizational Partners
GSM® and the GSM logo are registered and owned by the GSM Association

Contents

Foreword	4
Introduction	4
1 Scope	5
2 References.....	5
3 Definitions and abbreviations	5
3.1 Definitions	5
3.2 Abbreviations.....	6
4 BC between 3GPP TS 32-series specifications	6
4.1 Prerequisite	6
4.2 Rules	7
5 BC context.....	8
5.1 General	8
5.2 IRP level.....	9
5.3 IRPAgent level.....	10
6 BC Recommendations	12
6.1 Requirement	12
6.2 IS-level	12
6.3 SS-level	12
6.3.1 CORBA	12
6.3.2 Void	12
6.3.3 File format description XML	12
6.3.4 File format description ASN.1	12
6.3.5 SOAP	12
Annex A (informative): BC and Conformance Tests	13
Annex B (informative): Change history.....	14

Foreword

This Technical Specification has been produced by the 3rd Generation Partnership Project (3GPP).

The contents of the present document are subject to continuing work within the TSG and may change following formal TSG approval. Should the TSG modify the contents of the present document, it will be re-released by the TSG with an identifying change of release date and an increase in version number as follows:

Version x.y.z

where:

- x the first digit:
 - 1 presented to TSG for information;
 - 2 presented to TSG for approval;
 - 3 or greater indicates TSG approved document under change control.
- y the second digit is incremented for all changes of substance, i.e. technical enhancements, corrections, updates, etc.
- z the third digit is incremented when editorial only changes have been incorporated in the document.

Introduction

The Itf-N partitions two groups of interacting entities called IRPManager(s) and IRPAgent(s).

The interactions between an IRPManager and IRPAgent are specified by the set of IRP specifications the IRPAgent supports, and which the IRPManager uses.

Each YyyIRP (where "Yyy" stands for Alarm, BasicCM, etc.) permits a manager to, via `getIRPVersion`, inspect its supported IRPVersion(s). Each such IRPVersion uniquely identifies one supported Interface IRP SS.

Each YyyIRP may also permit an IRPManager to, via `getNRMIRPVersions`, inspect its supported NRM IRPVersion(s). Each such IRPVersion uniquely identifies one supported NRM IRP SS.

The 3GPP IRP specifications are expected to evolve. For example, 3GPP Release 6 specifications include more or modified features compared to the corresponding set in Release 5.

An IRPManager and IRPAgent, with implementations conformant to the same IRP specification (at the same IRPVersion(s)) will be able to communicate.

However, an upgrade of the IRPVersion, if not performed by both IRPAgent and IRPManager, can result in inter-working failure if Backward Compatibility (BC) issues are not addressed.

The present document is applicable/relevant to a system context of a group of interacting IRPManagers and IRPAgents where some members are using one IRPVersion while others are using an upgraded IRPVersion.

1 Scope

The present document gives recommendations to develop future IRP specifications in a Backward Compatible (BC) way so that the group of IRPManager(s) and IRPAgent(s) are not forced to be upgraded in lock step.

The business case for supporting such group, as described above, is complex. It may not relate to the functions of the supported IRPs alone. Rather, it can relate to the cost of coordination of IRPVersion upgrades, the cost of maintaining an old IRPVersion and the cost of using single-vendor or multi-vendor IRPAgents. These considerations are operator deployment scenarios specific.

Clause 4 specifies the Recommendations and clause 5 describes the system context where the Recommendations are applicable.

Editor's Note: The “forward compatability” part is FFS.

2 References

The following documents contain provisions which, through reference in this text, constitute provisions of the present document.

- References are either specific (identified by date of publication and/or edition number or version number) or non-specific.
- For a specific reference, subsequent revisions do not apply.
- For a non-specific reference, the latest version applies. In the case of a reference to a 3GPP document (including a GSM document), a non-specific reference implicitly refers to the latest version of that document *in the same Release as the present document*.

[1] 3GPP TS 32.101: "Telecommunication management; Principles and high level requirements".

[2] 3GPP TS 32.102: "Telecommunication management; Architecture".

[3] 3GPP TS 32.111-2: "Telecommunication management; Fault Management; Part 2: Alarm Integration Reference Point (IRP): Information Service (IS)".

[4] 3GPP TS 32.311: "Telecommunication management; Generic Integration Reference Point (IRP) management; Requirements".

3 Definitions and abbreviations

3.1 Definitions

For the purposes of the present document, the following terms and definitions apply:

Element Manager (EM): See 3GPP TS 32.101 [1].

IRPAgent: See 3GPP TS 32.102 [2].

IRPManager: See 3GPP TS 32.102 [2].

IRPVersion: See "IRP document version number string" or "IRPVersion" in 3GPP TS 32.311 [4] clause 3.1.

Network Manager (NM): See 3GPP TS 32.101 [1].

3.2 Abbreviations

For the purposes of the present document, the following abbreviations apply:

ASN.1	Abstract Syntax Notation One
BC	Backward Compatible or Backward Compatibility
CMIP	Common Management Information Protocol
CORBA	Common Object Request Broker Architecture
EM	Element Manager
IS	Information Service
IRP	Integration Reference Point
NE	Network Element
NM	Network Manager
NRM	Network Resource Model
VSE	Vendor Specific Extension (to 3GPP IRP specification)
SS	Solution Set
XML	eXtensible Markup Language

4 BC between 3GPP TS 32-series specifications

4.1 Prerequisite

The words old and new, when qualifying an IRPVersion, refer to a single Interface IRPVersion of the same kind, e.g. Alarm IRP. They also refer to NRM IRPVersion of the same kind, e.g. Core NRM. The 'new' refers to a later release compared to the 'old'.

The words old and new, when qualifying an IRPManager, refer to an entity that is using the old or the new (Interface or NRM) IRPVersion.

The words old and new, when qualifying an IRPAgent, refer to an entity that contains an IRP that is supporting the old or the new (Interface or NRM) IRPVersion.

In majority cases, an IRPAgent instance contains multiple IRPs, each of which is using a particular Interface IRPVersion. In these cases, each Recommendation statement should be repeated to cover all IRPs involved.

The Recommendations do not imply that equipment vendors shall always supply their new IRPAgents in compliance to the solutions satisfying the Recommendations. The Recommendations simply identify the expected behaviours of a new system when it, claiming BC, interacts with an old system. Whether or not an IRPAgent should satisfy the Recommendations is a decision of the equipment vendor/supplier.

The Recommendations do not imply that the next release of 3GPP Interface IRP or NRM IRP specification must be BC (to the older one). Whether or not a new release of an Interface IRP or NRM IRP should be BC to its older version is a decision of the 3GPP specification author, on a case-by-case basis.

4.2 Rules

- [REC-1] An old IRPManager inter-operates with an old IRPAgent-A and a new IRPAgent-B. The interaction shall be successful in that the IRPManager can obtain the network management services (capabilities and features) defined by the old IRPVersion from both IRPAgents. The IRPManager needs not have knowledge of new network management services defined by the new IRPVersion.
- [REC-2] A new IRPManager inter-operates with a new IRPAgent-A and an old IRPAgent-B. The interaction shall be successful in that the IRPManager can obtain the network management services defined by (a) the new IRPVersion from IRPAgent-A and (b) the old IRPVersion from IRPAgent-B.
- NOTE: If the next minor and/or major release of 3GPP Interface IRP or NRM IRP specification is BC (to the older one), one could reduce or eliminate the difficult coordination task to introduce IRPVersion upgrades in a large management domain containing multiple IRPManagers and IRPAgents. It can be more cost-effective if IRPVersion upgrades to individual entity (i.e. IRPManager and IRPAgent) are done at different times.

5 BC context

5.1 General

This clause defines the context under which the requirements specified in the present document are applicable.

The word 'old' qualifies the related entity (i.e. the AlarmIRP of an IRPAgent instance or Alarm IRPManager) that is using an older 3GPP IRPVersion (called old version). The word 'new' qualifies the related entity that is using a newer (upgraded) 3GPP IRPVersion.

EXAMPLE: A hypothetical 3GPP TS 32.123 V6.0.0 is considered the old version with reference to 3GPP TS 32.123 V6.1.0. The two versions in question can belong to the same or different major releases (e.g. Rel-5 or Rel-6).

The box labelled EM in figure 5.1 conveys the same idea as the box of the same label in the System Context-A of other IRP specifications such as Alarm IRP IS 3GPP TS 32.111-2 [3].

One or all EM-labelled boxes of figure 5.1 can be interchanged with the NE-labelled box (see System Context-B of other IRP specifications such as Alarm IRP IS 3GPP TS 32.111-2 [3]). The NE entities are not shown in order to make the figure easier to read.

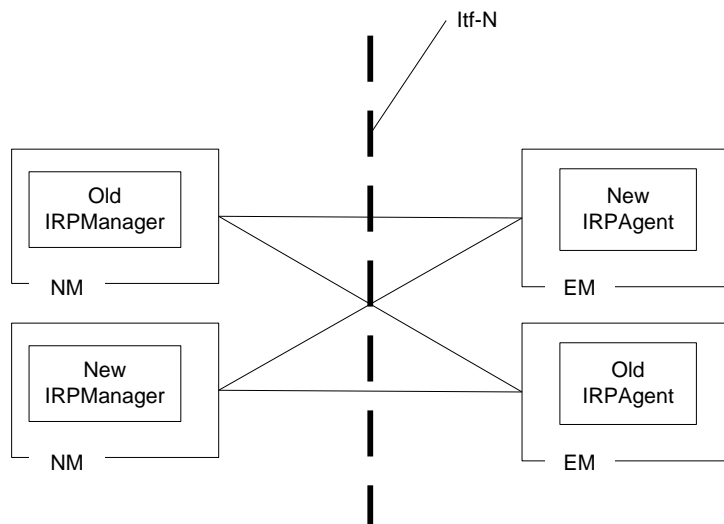


Figure 5.1: Overall BC System Context

In general, an IRPAgent instance may contain several Interface YyyIRP instances and associated supporting Yyy NRM IRPs (where one IRP can be for example Alarm IRP, Test Management IRP, or "Notification IRP", etc and where the other IRP can be for example Generic IRP). The Interface and NRM YyyIRP specifications of particular IRPVersion(s) together specify the behaviour of an Interface IRP and the supporting NRM IRP (s).

NOTE: The IRPVersion concept is related to the IRP.
The IRPVersion concept is not related to the IRPAgent as this may contain multiple IRPs.

Given this background, the BC issues are addressed at two separate but related levels as described in clauses 5.2 and 5.3.

5.2 IRP level

The two diagrams here illustrate conceptually the two possible contexts when we address BC at this IRP level.

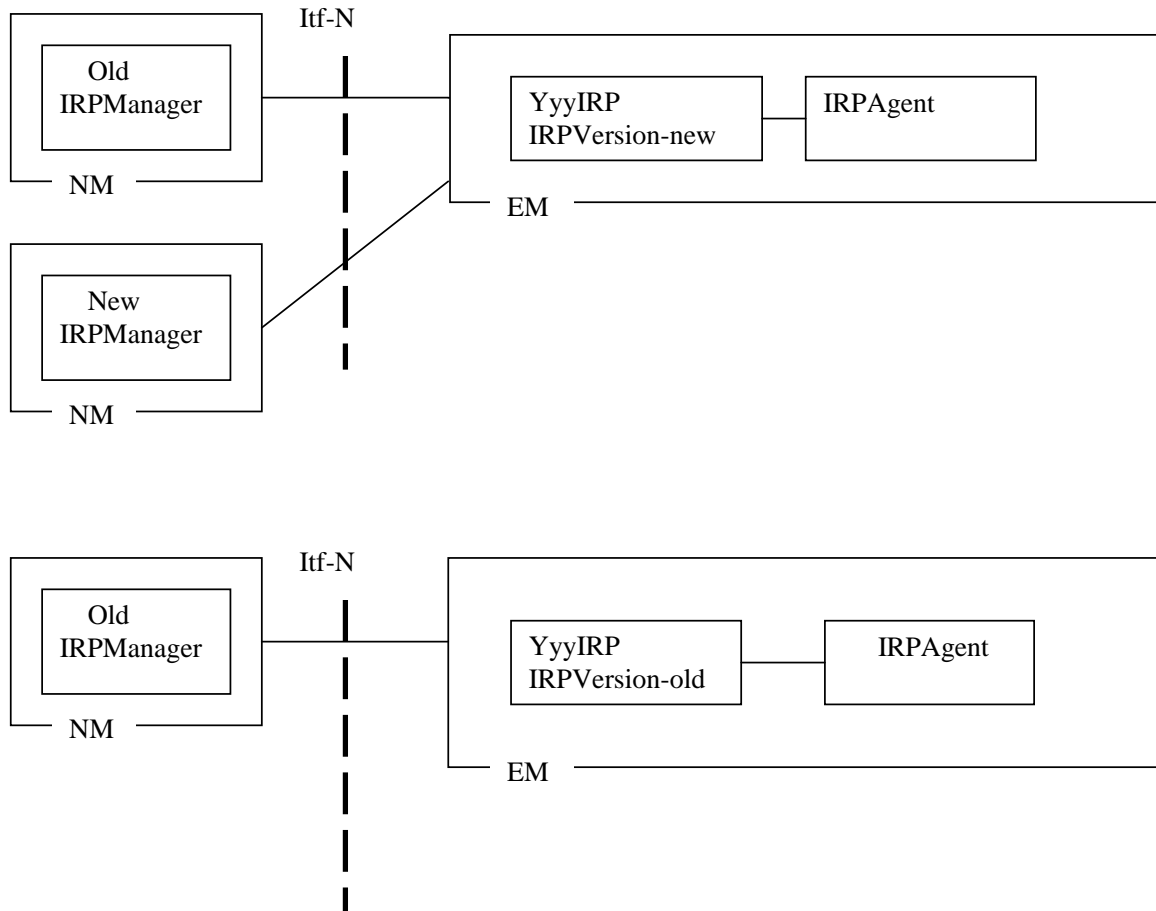


Figure 5.2: Specification BC System Context

An YyyIRP instance supports a particular Interface IRPVersion and a particular set of NRM IRPVersions.
 An IRPManager uses a particular Interface IRPVersion and a particular set of NRM IRPVersions.

If an YyyIRP instance supports Interface IRPVersion-X and NRM IRPVersions-Y, then it can interact successfully with an IRPManager that uses the same IRPVersions. This is illustrated by the case of the "Old IRPManager" and the "Old IRPAgent" of the bottom diagram (and note that the diagram does not show the NRM IRP version support).

If this same YyyIRP instance upgrades its Interface IRPVersion-X to X2 that is BC to X, then it can interact successfully with an IRPManager that uses the Interface IRPVersion-X or IRPVersion-X2. The top diagram of figure 5.2 illustrates this case (and note that the diagram does not show the NRM IRP version support).

If this same YyyIRP instance upgrades its NRM IRPVersion-Y to Y2 that is BC to Y, then it can interact successfully with an IRPManager that uses the NRM IRPVersion-Y or NRM IRPVersion-Y2. The top diagram of figure 5.2 illustrated this case (and note that the diagram does not show the NRM IRP version support).

Given the above, the BC issues addressed at the present document level are:

- How to determine if an IRP IS or SS specification (Interface IRP or NRM IRP) is BC to an earlier version ? This can be addressed in another way.

What are the BC-rules that the author of a 3GPP IRP specification should use to extend an old-version to produce a new version that can claim BC (to that old-version) ?

At this level, the specification author shall define BC-rules for each of the following:

- Interface IRP- Requirements.
- Interface IRP IS.
- Interface IRP SS(s).
- NRM IRP requirements.
- NRM IRP IS.
- NRM IRP SS(s).
- Data Definition IRP IS.
- Data Definition IRP SS(s).

One reason why the specification author addresses BC at this IRP level is that, for certain technologies, such as CORBA, it is possible that one entity using (compiles with) one IRP SS specification (i.e. the CORBA SS) while the other communicating entity using a new but BC version can interact successfully (such as the case of the IRPManager and IRPAgent-A of [REC-1]).

5.3 IRPAgent level

Figure 5.3 illustrates the two possible contexts when addressing BC at this IRPAgent level.

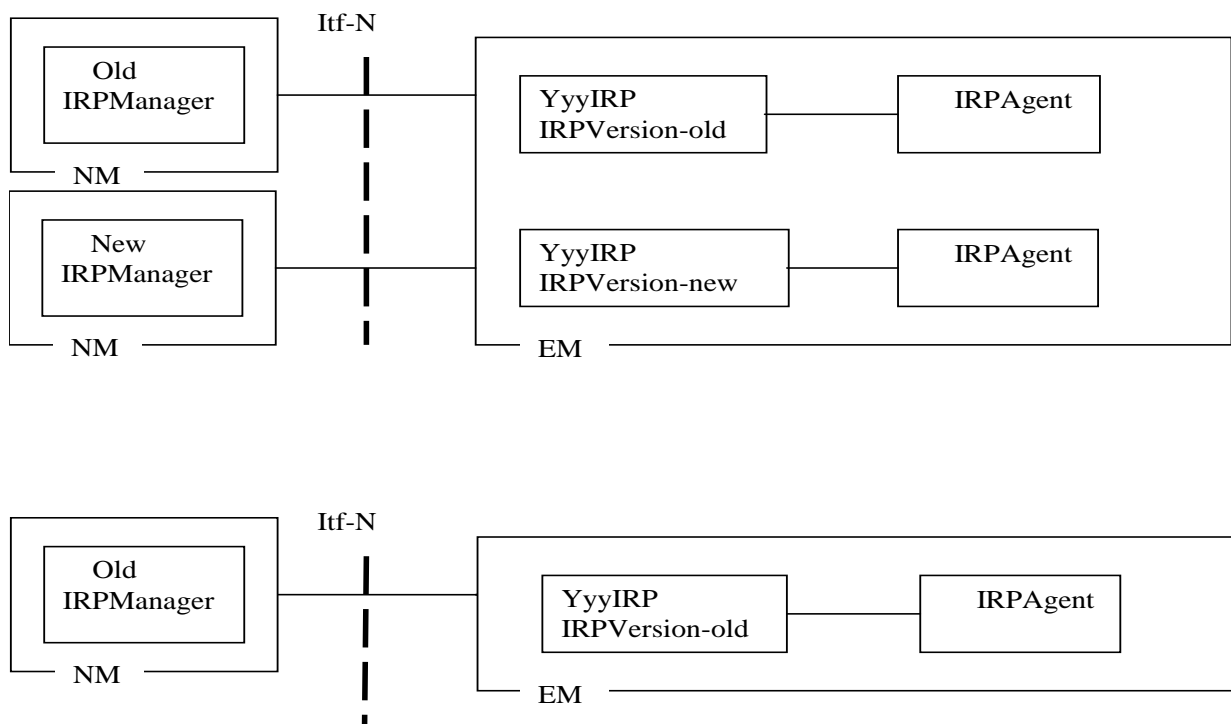


Figure 5.3: System/Implementation BC System Context

NOTE 1: An IRPAgent instance contains multiple YyyIRP instances such as AlarmIRP, NotificationIRP, TestManagementIRP, etc. Each YyyIRP instance implements/supports the corresponding YyyIRP specification of a particular IRPVersion.

Suppose IRPAgent-A contains YyyIRP of Interface IRPVersion-4, YyyIRP of Interface IRPVersion-5 and YyyIRP of Interface IRPVersion-6 and all IRPs support NRM IRPVersion-7 (see Note 2), this IRPAgent-A is BC if it can inter-operate successfully with the following:

- IRPManager 1 using Interface IRPVersion-4 or 3 using NRM IRPVersion-7 or 6.
- IRPManager 2 using Interface IRPVersion-5 or 4 using NRM IRPVersion-7 or 6.
- IRPManager 3 using Interface IRPVersion-6 or 5 using NRM IRPVersion-7 or 6.

NOTE 2: All IRPs contained by the same IRPAgent instance should support the same set of NRM IRPVersions.

It is anticipated that the IRPAgent level BC solution includes:

- An IRPAgent service allowing IRPManager to discover all the IRPAgent supported Interface IRPVersion(s).
- An IRPAgent service allowing IRPManager to discover the IRPAgent supported NRM IRPVersion(s).
- An IRPAgent service allowing IRPManager to discover the reference/address of the IRP instance (of the IRPAgent) supporting a particular Interface IRPVersion.

The two diagrams in figure 5.3 illustrate the two possible ways to support BC at this so-called IRPAgent level.

The IRPVersion-new needs not to be BC to IRPVersion-old. In the case that IRPVersion-new is BC to IRPVersion-old, it is EM supplier's choice if "IRP level" or "IRPAgent level" solution will be used to support BC. In the case that the IRPVersion-new is not BC to IRPVersion-old, then the EM supplier will have no choice but to use "IRPAgent level" solution if it wants its EM to support BC.

NOTE 3: IRPAgent service supporting "discovery" (as stated by the above three bullets) is not illustrated in the two diagrams

6 BC Recommendations

6.1 Requirement

The Requirement specification is in subclause 4.2 Rules.

6.2 IS-level

There is no text specifically written related to IS-level specification for BC systems. The two system context diagrams of subclauses 5.2 and 5.3 would be necessary and sufficient to describe the management services provided by EM to support the so-called Old IRPManager and New IRPManager.

6.3 SS-level

6.3.1 CORBA

For CORBA Solution Set, the IRPAgent level (see subclause 5.3) context would be used.

6.3.2 Void

6.3.3 File format description XML

Editor's Note: This part is FFS.

6.3.4 File format description ASN.1

Editor's Note: This part is FFS.

6.3.5 SOAP

Editor's Note: This part is FFS.

Annex A (informative): BC and Conformance Tests

This annex illustrates that:

- an IRP, implementing a new-version IRP specification that is BC to an old-version IRP specification, may or may not be compliant to the old-version IRP specification.

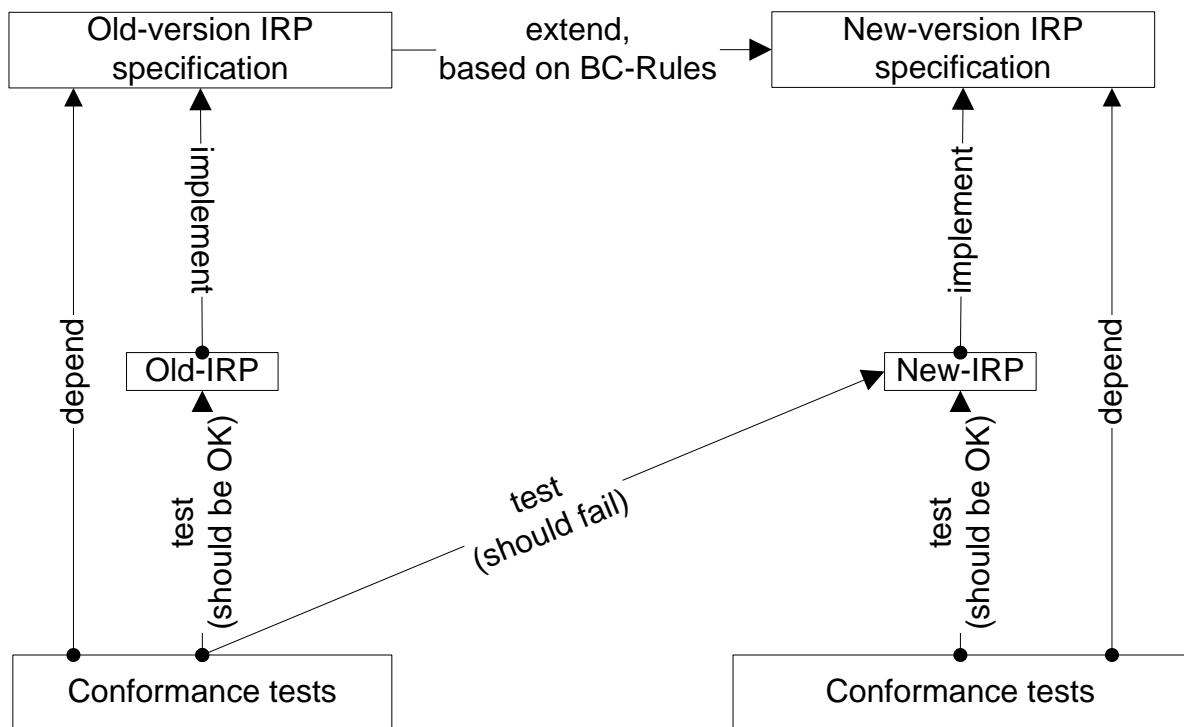


Figure A.1: BC and Conformance Tests Scenario

Suppose 3GPP has an older-version IRP specification (the "Old-version IRP specification" box) and there is a valid/correct implementation (the "Old-IRP" box).

Suppose also that 3GPP produce a "New-version IRP specification" by extending the "Old-version IRP specification" using the BC-rules.

The "New-IRP" should interwork with IRPManager that uses the "New-version IRP specification".

This "New-IRP" should also interwork with IRPManager that uses the "Old-version IRP specification".

The "Old-IRP" should pass the conformance test that is based on (see "depend" relation) the "Old-version IRP specification".

Likewise, the "New-IRP" should pass the conformance test that is based on the "New-version IRP specification".

However, this "New-IRP" may not be able to pass the conformance test that is based on "Old-version IRP specification" (see "test (should fail)" relation).

Likewise, the "Old-IRP" should not be able to pass the conformance test that is based on "New-Version IRP specification".

Annex B (informative): Change history

Change history								
Date	TSG #	TSG Doc.	CR	Rev	Subject/Comment	Cat	Old	New
Mar 2007	SA_35	SP-070065	--	--	Submitted to TSG SA#35 for Information	--	1.0.0	
Jun 2007	SA_36	SP-070283	--	--	Submitted to TSG SA#36 for Approval	--	2.0.0	7.0.0
Dec 2008	SA_42	--	--	--	Upgrade to Release 8	-	7.0.0	8.0.0
Dec 2009	-	-	-	-	Update to Rel-9 version (MCC)	-	8.0.0	9.0.0
Mar 2010	SA_47	SP-100036	001	--	Introduction of SOAP SS	C	9.0.0	10.0.0
2012-09	-	-	-	-	-	Update to Rel-11 version (MCC)	10.0.0	11.0.0