

3G TS 22.068 V3.0.0 (1999-07)

Technical Specification

3rd Generation Partnership Project; Technical Specification Group Services and System Aspects; Voice Group Call Service (VGCS) - Stage 1 (3G TS 22.068 version 3.0.0)



The present document has been developed within the 3rd Generation Partnership Project (3GPP™) and may be further elaborated for the purposes of 3GPP.

The present document has not been subject to any approval process by the 3GPP Organisational Partners and shall not be implemented. This Specification is provided for future development work within 3GPP only. The Organisational Partners accept no liability for any use of this Specification.

Specifications and reports for implementation of the 3GPP™ system should be obtained via the 3GPP Organisational Partners' Publications Offices.

Reference

DTS/TSGSA-0122068U

Keywords

3GPP, SA

3GPP

Postal address

3GPP support office address

650 Route des Lucioles - Sophia Antipolis
Valbonne - FRANCE
Tel.: +33 4 92 94 42 00 Fax: +33 4 93 65 47 16

Internet

<http://www.3gpp.org>

Contents

Foreword	4
1 Scope	5
2 References	5
3 Definitions and abbreviations	5
3.1 Definitions	5
3.2 Abbreviations	6
4 Description	6
5 Normal operation with successful outcome	9
5.1 Provision	9
5.2 Withdrawal	10
5.3 Network related service configuration	10
5.4 Normal operation for voice group call establishment	10
5.5 Charging requirements	10
6 Exceptional procedures or unsuccessful outcome	10
7 Interaction with other GSM services	11
7.1 Calling Line Identification Presentation (CLIP)	11
7.2 Calling Line Identification Restriction (CLIR)	11
7.3 Connected Line Identification Presentation (COLP)	11
7.4 Connected Line Identification Restriction (COLR)	11
7.5 Call Forwarding Unconditional (CFU)	11
7.6 Call Forwarding on mobile subscriber Busy (CFB)	11
7.7 Call Forwarding on No Reply (CFNRy)	11
7.8 Call Forwarding on mobile subscriber Not Reachable (CFNRc)	12
7.9 Call Waiting (CW)	12
7.10 Call Hold (HOLD)	12
7.11 Multi-party Service (MPTY)	12
7.12 Closed User Group (CUG)	12
7.13 Advice of Charge (AoC)	12
7.14 Barring of All Outgoing Calls (BAOC)	12
7.15 Barring of Outgoing International Calls (BOIC)	12
7.16 Barring of Outgoing International Calls except those to the Home PLMN country (BOIC-exHC)	13
7.17 Barring of All Incoming Calls (BAIC)	13
7.18 Barring of Incoming Calls when Roaming outside the home PLMN country (BIC-Roam)	13
7.19 Explicit Call Transfer (ECT)	13
7.20 Enhanced Multi-Level Precedence and Pre-emption service (eMLPP)	13
7.21 Short Message Service (SMS)	13
7.22 Operator Determined Barring (ODB)	13
8 Interworking considerations	13
Annex A: Change history	14
History	15

Foreword

This Technical Specification has been produced by the 3GPP.

This TS specifies the stage one description of the Voice Group Call Service (VGCS) within the 3GPP system.

The contents of the present document are subject to continuing work within the TSG and may change following formal TSG approval. Should the TSG modify the contents of this TS, it will be re-released by the TSG with an identifying change of release date and an increase in version number as follows:

Version 3.y.z

where:

- x the first digit:
 - 1 presented to TSG for information;
 - 2 presented to TSG for approval;
 - 3 Indicates TSG approved document under change control.
- y the second digit is incremented for all changes of substance, i.e. technical enhancements, corrections, updates, etc.
- z the third digit is incremented when editorial only changes have been incorporated in the specification;

1 Scope

This TS specifies the stage one description of the Voice Group Call Service (VGCS) which allows speech conversation of a predefined group of service subscribers in half duplex mode on the radio link taking into account multiple mobile service subscribers involved in the VGCS call per cell.

The VGCS is applicable to all mobile stations in a certain network and area which have the technical capability and the corresponding subscription, respectively, to participate in a VGCS call.

NOTE: It is not considered as requirement that normal GSM phase 2 mobile stations will be able to be used for this service.

The service is described from the service subscriber's and user's point of view; in particular:

- the procedure for normal operation with successful outcome;
- the action to be taken in exceptional circumstances;
- the interaction with other GSM services and features.

This TS does not deal with the Man-Machine Interface (MMI) requirements, but makes reference to the appropriate Global System for Mobile Communications (GSM) specifications.

This TS defines a teleservice of the digital cellular telecommunications system GSM. Any interaction with other services and/or networks not dealt with in clauses 7 or 8 are outside the scope of this TS.

2 References

The following documents contain provisions which, through reference in this text, constitute provisions of the present document.

- References are either specific (identified by date of publication, edition number, version number, etc.) or non-specific.
- For a specific reference, subsequent revisions do not apply.
- For a non-specific reference, the latest version applies.

[1] GSM 01.04: "Digital cellular telecommunications system (Phase 2+); Abbreviations and acronyms".

[2] GSM 02.67: "Digital cellular telecommunications system (Phase 2+); enhanced Multi-Level Precedence and Pre-emption service (eMLPP) - Stage 1".

3 Definitions and abbreviations

3.1 Definitions

For the purposes of this TS, the following definitions apply:

network operator: Entity which provides the network operating elements and resources for the execution of the VGCS.

service provider: Entity which offers the VGCS for subscription. The network operator may be the service provider.

voice group call: An instance of the VGCS initiated by a subscriber. This term is used synonymously with the term "VGCS call".

service subscriber: Mobile subscriber which subscribes to the VGCS.

group identification (group ID): A numerical classification. The maximum number of group IDs which can be defined in one PLMN depends on the maximum number of group call areas defined in this PLMN. The maximum number of group IDs and group call areas combined is 10^8 , Service subscriber shall be provided with one or up to 50 group IDs.

dispatcher: Particular fixed line or mobile users are identified within the network as dispatchers. Dispatchers shall receive all voice group calls to a certain group ID in a group call area (this shall be done automatically by the network). In addition they can initiate voice group calls to a group ID in a group call area.

Dispatchers shall be connected to a voice group call by means of standard links via radio or via an ISDN. They shall be called by their ISDN or MSISDN number, respectively. When dispatchers initiate voice group calls, they shall call a particular MSISDN number which is related to a group ID and group call area. Dispatchers using the GSM network can be located outside of this group call area.

The identities of the dispatchers are exclusively predefined in the network by the service provider. There will be none or up to five dispatchers involved in a particular voice group call.

destination subscriber: Service subscriber or dispatcher to which the VGCS call is directed.

calling subscriber: Service subscriber or dispatcher which originates the VGCS call.

group call area: Predefined area composed of one or a cluster of cells to which a particular VGCS call is distributed. The maximum number of group call area IDs which can be defined in one PLMN depends on the maximum number of group IDs defined in this PLMN. The maximum number of group IDs and group call areas combined is 10^8 , The composition of a group call area is predefined in the network by the service provider. Changing of cell allocation in the network due to operational reasons will need an adaptation of the group call area definition. The group call area may include more than one MSC area and cells of more than one PLMN.

group call member: Any service subscriber or dispatcher participating in an on going voice group call.

3.2 Abbreviations

Abbreviations used in this TS are listed in GSM 01.04.

4 Description

The VGCS is defined in the following. Figure 1 gives an explanation of the logical concept of the VGCS.

- a) The VGCS enables a calling subscriber to establish a voice group call to destination subscribers belonging to a predefined group call area and group ID.

NOTE 1: The service is provided by use of half duplex transmission mode.

Applications for voice group call services typically involve multiple group members in a small group call area, for which the VGCS should provide spectrum efficient solutions.

- b) The calling subscriber as well as the destination subscribers may be any service subscriber which has subscribed to the related group ID or any dispatcher who is entitled to it by his identity which shall be registered in the network.
- c) Destination subscribers are all service subscribers or a group of service subscribers identified by the called group ID which have their present location in the group call area, and pre-registered dispatchers. Destination service subscribers shall be notified with the group ID, not by paging the subscriber individually. Dispatchers shall be called individually with their identity.

Service subscribers may become late destination subscribers when entering the group call area within 500 ms after reception of the first notification message related to the VGCS call. Service subscribers which leave the corresponding group call area during an on going VGCS call of which they are member cease to be destination subscribers.

- d) The voice group call shall be established in a group call area which is comprised of one or a cluster of cells. Group call areas shall be predefined in the network by the service provider, co-ordinated by the network operator.

In case of a service subscriber initiating a VGCS, the group call area is uniquely identified by the actual cell in which the service subscriber resides at the moment of VGCS call initialization and by the group ID they issue.

A dispatcher initiating a VGCS call will be connected to a related predefined group call area. The entitlement of the dispatcher is checked by the network element responsible for the voice group call management by verification of the calling identity. Since a dispatcher may be registered to more than one group call area and group ID an indication of the wanted group call area and group ID has to be given in form of a dedicated address called by the dispatcher.

- e) The service shall permit only one talking service subscriber at any moment; additionally up to five dispatcher can be talking simultaneously at one time. Dispatchers should hear all combinations of voices other than their own. Listening service subscribers shall hear the combination of all voices. The talking service subscriber shall gain some audible indication if any dispatchers are talking simultaneously.

Dispatchers shall be able to talk at any moment without any need to signal the wish to talk. Service subscribers who wish to talk shall indicate this. They shall only be able to become talking subscribers if there is no other talking service subscriber. The right to be a talking service subscriber is allocated on a first come first served basis without queuing. Once a service subscriber has become a talking subscriber they shall eventually indicate their wish to become a listening subscriber, or the network may detect that they are no longer a talking subscriber due to time-out or other mechanisms.

SMS, CW and procedures for supplementary service management are not possible for a service subscriber.

- f) The calling subscriber shall be informed by the network with a suitable indication about the successful establishment of the voice group call so that he can start to speak.

NOTE 2: A successful establishment means that all voice group call downlink channels are allocated, with the restrictions mentioned in clause 6, whether somebody is listening or not, and the related dispatchers are alerted.

The system provides that for an established voice group call the uplink assignment to a service subscriber who wishes to talk is performed under normal conditions in <300 ms after a request to talk is made.

The mobile station of the talking service subscriber shall be requested to send its IMSI to the network in order so that the talker's IMSI be stored in the event records.

- g) Authentication is mandatory at GSM call set up. To allow fast call set up in VGCS authentication of calling subscribers at invocation may optionally be delayed. Similarly authentication of the talking service subscriber may optionally be delayed to allow fast access.

Confidentiality on the radio path is optional.

- h) Different levels of priority and pre-emption shall be applied as defined in the stage 1 description on the enhanced Multi-Level Precedence and Pre-emption Service (eMLPP) in GSM 02.67.

- i) A number of voice group calls may exist simultaneously intended for different groups of destination users in the same group call area.

Parallel voice group calls are possible to the same group of destination subscribers in different, possibly overlapping, group call areas.

- j) A voice group call shall be released on demand of the calling subscriber or by a dispatcher or by the network.

NOTE 3: The release by the calling subscriber is only possible if the uplink is assigned to the calling subscriber.

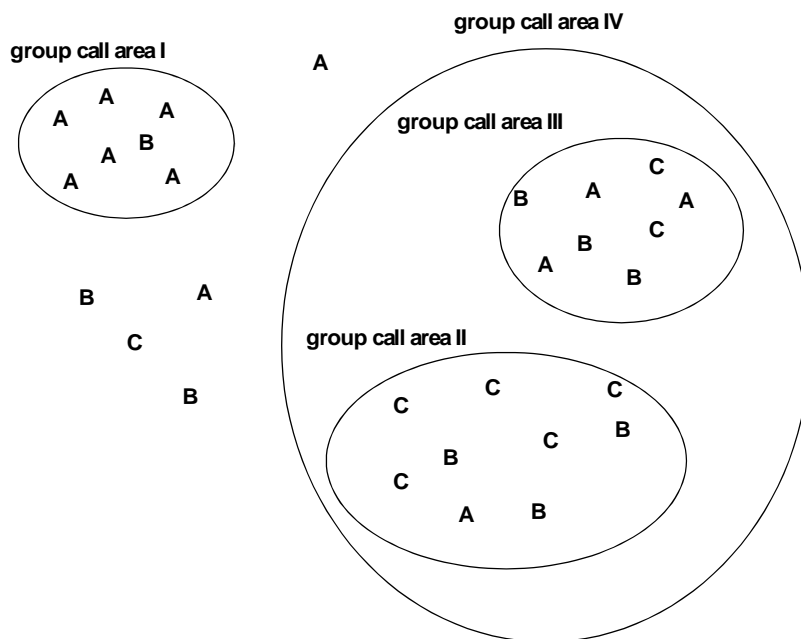
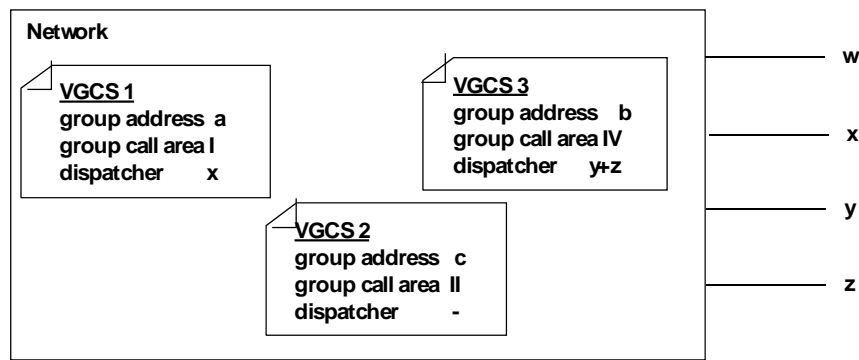
Automatic release of a voice group call after a selectable time of no voice activity is required.

- j1) If the mobile station having the uplink assigned leaves the group call area, it shall also leave the voice group call. However, the voice group call shall be maintained by the network.

This behaviour shall also apply if the mobile station is the calling subscriber.

- k) VGCS shall also be provided in case of roaming. For this, certain group IDs shall be defined as supra-PLMN group IDs which have to be co-ordinated between the network operators and which shall be known in the networks and in the SIM. A service subscriber which is entitled by his subscription to establish voice group calls while roaming shall only be able to use supra-PLMN group IDs in case of roaming.
- l) For certain levels of priorities an acknowledgement of receipt of a voice group call can be required as an application option (e.g. for railways emergency calls) from all or from nominated destination subscribers (nomination is recorded on the SIM). The acknowledgement itself shall be performed at the end of the voice group call. The acknowledgement shall indicate the time the reception started and the time the reception terminated. The acknowledgement has to be given to a predefined recipient.
- m) It shall be possible for a service subscriber to activate or deactivate the voice group call reception for different group IDs. The selection list is stored on the SIM corresponding to the subscribed group IDs. It shall be possible to prohibit the deactivation of group IDs used for high priority calls.

Dispatcher which are registered for a certain voice group call and which have also a subscription for VGCS with the same group ID as the voice group call for which they are dispatcher shall deactivate this group ID when they are located in the corresponding group call area in order to avoid conflicts between paging for the dispatcher and notifications for the group ID.



NOTE: VGCS1, VGCS2, VGCS3 = particular voice group calls with the attributes pre-registered in the network.
 A, B, C, D = service subscriber with group ID a, b, c or d, respectively.
 I, II, III, IV = group call areas.
 w, x, y, z = dispatchers connected via normal GSM links or external networks.

Figure 1: Logical concept of the VGCS

5 Normal operation with successful outcome

5.1 Provision

The VGCS is provided to be used by the service subscriber after prior arrangements with the service provider. The provision includes the assignment of group IDs to the service subscriber. A subscription shall not provide more than 50 group IDs to the service subscriber.

The service can be offered with one subscription option:

Subscription option	Value
- subscriber has the capability of initiating voice group calls in case of roaming	- No - Yes.

5.2 Withdrawal

The VGCS is withdrawn at the service provider's request or for administrative reasons.

5.3 Network related service configuration

The network related service configuration defines the attributes of a particular voice group call which shall be pre-registered in the network by the service provider. This is not related to one specific service subscriber.

The attributes of a particular voice group call are group ID, group call area composition, a list of dispatcher identities to be connected to this area, a list of dispatchers allowed to initiate voice group calls to this area, the group call reference which shall be used in case of COLP (see subclause 7.3) and dispatcher identities to which an optional acknowledgement can be routed. Changes to the group call area composition shall be co-ordinated with the network operator.

5.4 Normal operation for voice group call establishment

The VGCS shall be automatically initiated by the network when a service subscriber or dispatcher dials a particular short code or address at call set-up.

On successful initiation of the VGCS, the voice group call shall be established between the calling subscriber and the destination subscribers. The destination subscribers are:

- all service subscribers at any time during the voice group call with the corresponding active group ID when located in the group call area where the group call area is uniquely defined by:
 - the location (radio cell) of the calling subscriber at invocation if the calling subscriber is a service subscriber;
 - the addressed group call area if the calling subscriber is a dispatcher;
- the pre-registered dispatchers related to that group call area and group ID.

The calling subscriber shall be informed by the network with a suitable indication about the successful establishment of the voice group call so that the user can start to speak.

The call can be released by the calling subscriber or by the network or by dispatchers predefined in the network.

Destination subscribers may exit the voice group call separately without releasing the complete voice group call.

5.5 Charging requirements

Event data may be recorded as a network option as defined in GSM 12.05 for all VGCS calls to one group ID in a specific group call area. In addition other data to be passed to the anchor MSC for charging purposes are the identities of the talking subscribers, the time in which they were active and the resources (i.e. cell identities) used during a call.

6 Exceptional procedures or unsuccessful outcome

If a service subscriber wants to establish a voice group call while not subscribed to the service or the network cannot provide the service for some reason, an indication will be provided to the calling subscriber to notify him of the reason of failure.

If a dispatcher wants to establish a voice group call while not entitled to do it or the network cannot provide the service for some reason, the call shall be rejected. The network shall give an appropriate indication to dispatchers who are GSM subscribers.

If a voice group call cannot be established to all cells and dispatchers in a pre-set time, the call will be considered established provided that at least the originating cell in case of a service subscriber originated voice group call or any

one cell within the group call area in case of a dispatcher originated voice group call has been included within this specified time.

If a cell is excluded from the group call area because of pre-emption, the voice group call shall be maintained.

7 Interaction with other GSM services

7.1 Calling Line Identification Presentation (CLIP)

If CLIP is applied, the group call reference - including the group call area ID and the group ID - shall be presented to the dispatchers. In addition the subaddress field of the calling party may be used to identify the calling subscriber to the dispatchers.

The receiving mobile stations of the destination service subscribers shall display the paged group ID regardless the destination service subscribers have a subscription to CLIP.

7.2 Calling Line Identification Restriction (CLIR)

CLIR shall be supported.

The network shall have the possibility to override CLIR or reject the request to establish a voice group call for a calling subscriber who has CLIR activated.

7.3 Connected Line Identification Presentation (COLP)

If COLP is applied, the group call reference - including the group call area ID and the group ID - shall be presented to the calling subscriber. No destination subscriber identities will be presented.

7.4 Connected Line Identification Restriction (COLR)

COLR shall be supported. The network shall have the possibility to override COLR in case of voice group calls.

7.5 Call Forwarding Unconditional (CFU)

CFU is not applicable to voice group calls of service subscribers when activate and operative, i.e. CFU shall be ignored.

CFU is applicable for dispatchers, i.e. voice group calls are forwarded by CFU.

7.6 Call Forwarding on mobile subscriber Busy (CFB)

CFB is not applicable to voice group calls of service subscribers with CFB active and operative.

CFB is applicable for dispatchers if the voice group call does not have a higher priority than the present call.

7.7 Call Forwarding on No Reply (CFNRy)

CFNRy is not applicable to voice group calls of service subscribers with CFNRy active and operative.

CFNRy is applicable for dispatchers, i.e. voice group calls are forwarded by CFNRy.

7.8 Call Forwarding on mobile subscriber Not Reachable (CFNRc)

CFNRc is not applicable to voice group calls of service subscribers with CFNRc active and operative.

CFNRc is applicable for dispatchers, i.e. voice group calls are forwarded by CFNRc.

7.9 Call Waiting (CW)

CW is not applicable for service subscribers. Instead, as a network option, a notification of paging for other calls shall be given to the service subscribers involved in the voice group call.

CW is applicable for dispatchers.

7.10 Call Hold (HOLD)

Call hold is not applicable for service subscribers. For handling of parallel group calls to the same destination subscriber see item i) of clause 4.

The acceptance of a voice group call by a service subscriber while being in a point-to-point call shall release the point-to-point call. This release will be invoked by the mobile station.

If a voice group call is requested by a service subscriber while being in a point-to-point call, the point-to-point call shall be released. This release will be invoked by the mobile station.

Call hold is applicable for dispatchers.

7.11 Multi-party Service (MPTY)

MPTY is not applicable for service subscribers.

MPTY is applicable for dispatchers.

7.12 Closed User Group (CUG)

CUG is not applicable. Being a member of a CUG has no impact on receiving and establishing voice group calls.

7.13 Advice of Charge (AoC)

AoC is not applicable.

7.14 Barring of All Outgoing Calls (BAOC)

BAOC is applicable, if subscribed to, with the possible exception of high priority voice group calls.

7.15 Barring of Outgoing International Calls (BOIC)

BOIC is not applicable for voice group calls of service subscribers.

BOIC is applicable for dispatchers.

7.16 Barring of Outgoing International Calls except those to the Home PLMN country (BOIC-exHC)

BOIC-exHC is not applicable for voice group calls of service subscribers.

BOIC-exHC is applicable for dispatchers.

7.17 Barring of All Incoming Calls (BAIC)

BAIC is not applicable for voice group calls to service subscribers.

BAIC is applicable for dispatchers.

7.18 Barring of Incoming Calls when Roaming outside the home PLMN country (BIC-Roam)

BIC-Roam is not applicable for voice group calls to service subscribers.

BIC-Roam is applicable for dispatchers.

7.19 Explicit Call Transfer (ECT)

ECT is not applicable for service subscribers.

ECT is applicable for dispatchers.

7.20 Enhanced Multi-Level Precedence and Pre-emption service (eMLPP)

Different priorities with corresponding set-up procedures are applicable as defined in the stage 1 description of eMLPP in GSM 02.67.

7.21 Short Message Service (SMS)

Sending or reception of short messages is not possible for service subscribers involved in a voice group call.

7.22 Operator Determined Barring (ODB)

Same as for subscriber controlled barring.

8 Interworking considerations

No specific requirements are identified.

Annex A: Change history

Change history						
TSG SA#	Spec	Version	CR	<Phase>	New Version	Subject/Comment
Jun 1999	GSM 02.68	7.0.0				Transferred to 3GPP SA1
SA#04	22.068				3.0.0	

History

Document history		
V3.0.0	July 1999	Transferred to TSG SA at ETSI SMG#29. Under TSG TSG SA Change Control.